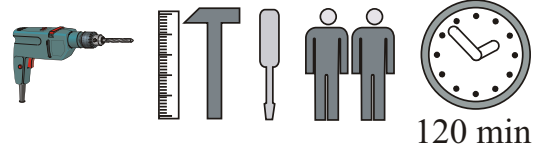
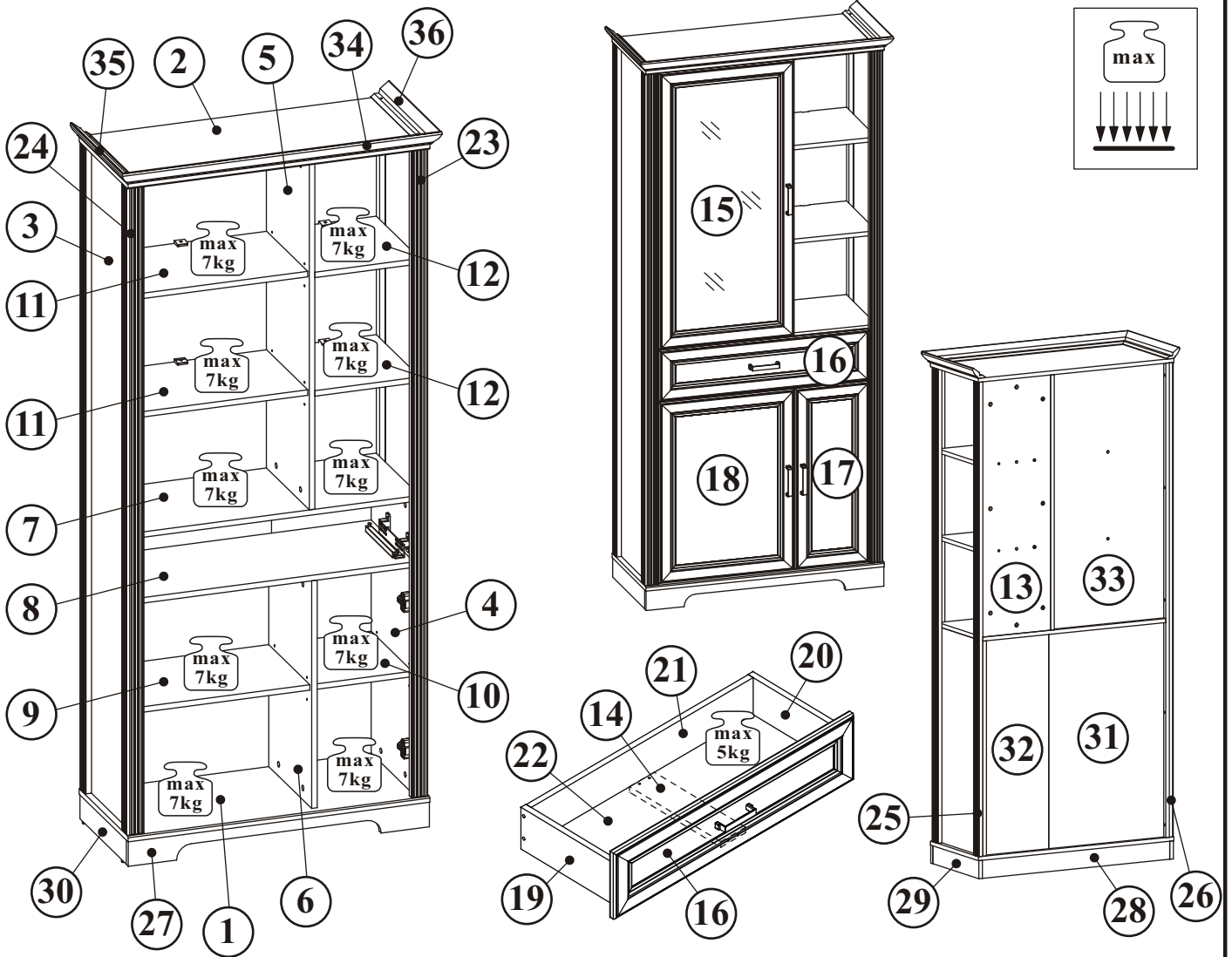


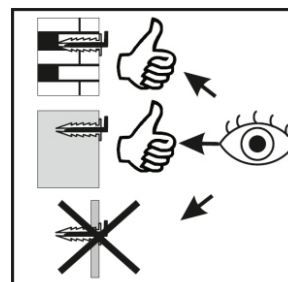
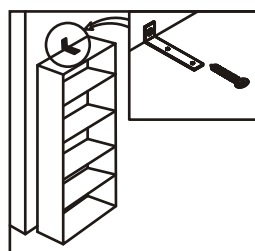
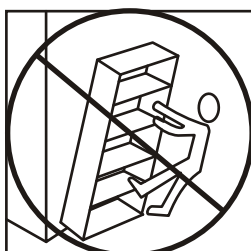
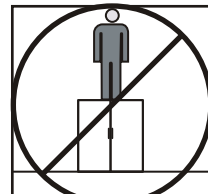
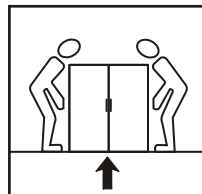
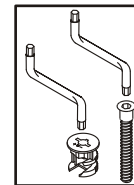
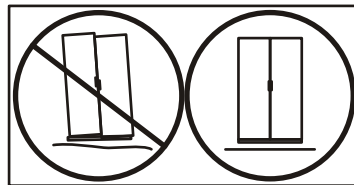
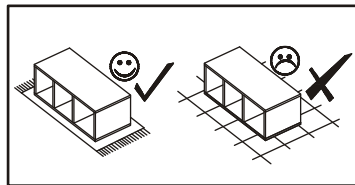
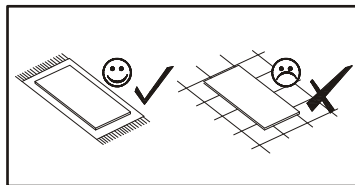
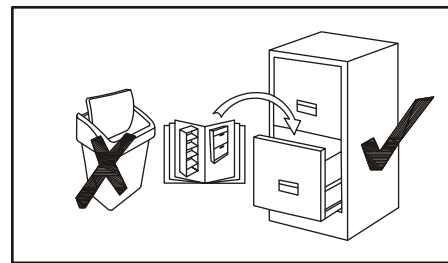
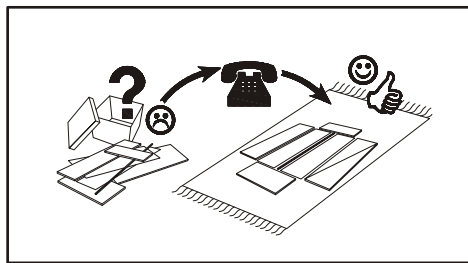
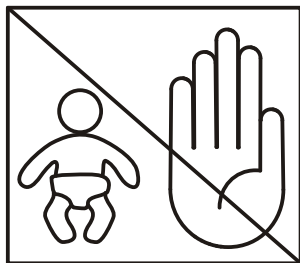
# JASMIN 10G9\_01



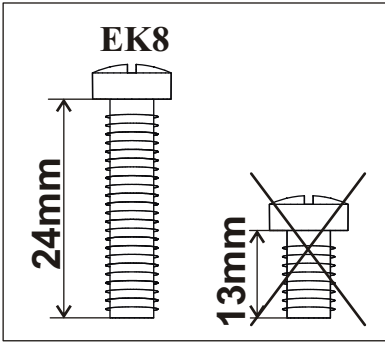
NO	Dim.		Col.-No	Qty
1	876	386	1	1
2	876	386	1	1
3	1890	359	2	1
4	857	359	2	1
5	1017	359	2	1
6	665	339	2	1
7	820	359	1	1
8	804	339	2	1
9	507	324	1	1
10	281	324	1	1
11	500	324	1	2
12	304	342	3	2
13	1017	304	3	1
14	299	80	1	1
15	1020	496	3	1
16	770	188	3	1
17	668	270	3	1
18	668	496	3	1

NO	Dim.		Col.-No	Qty
19	300	120	1	1
20	300	120	1	1
21	714	106	1	1
22	304	726	1	1
23	1890	49	2	1
24	1890	49	2	1
25	1890	43	2	1
26	1890	43	2	1
27	874	72	1	1
28	840	72	1	1
29	369	72	1	1
30	369	72	1	1
31	869	522	3	1
32	867	295	1	1
33	1027	512	3	1
34	928,7	67	1	1
35	412,4	67	1	1
36	412,4	67	1	1

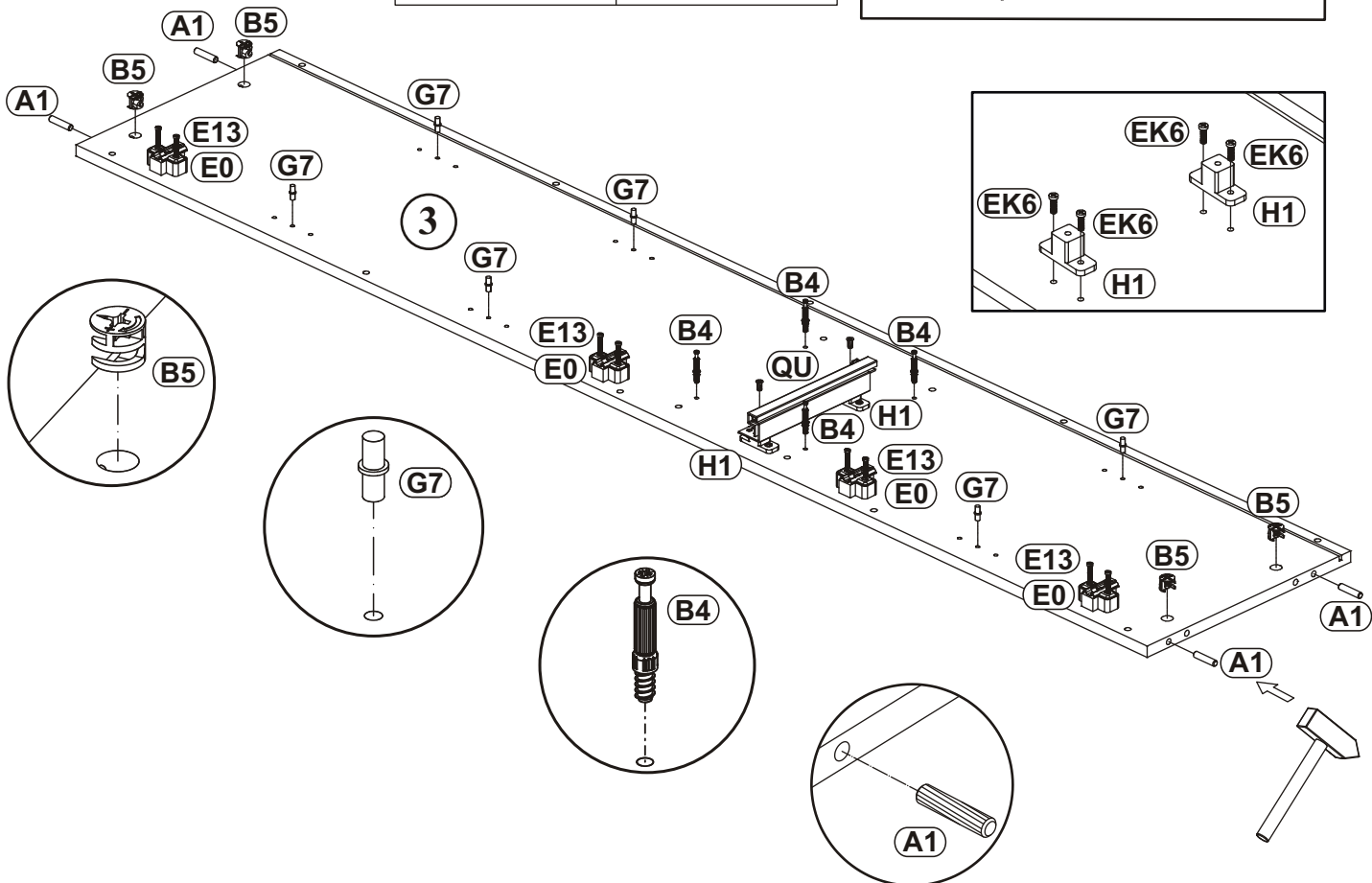
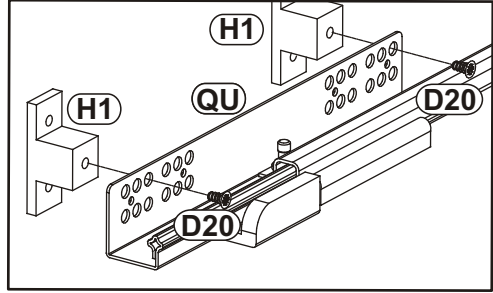
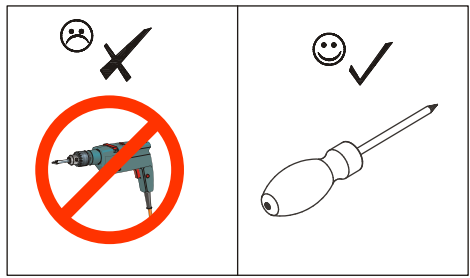
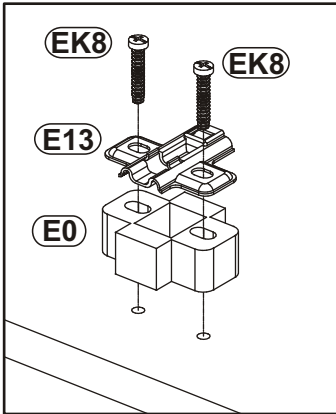
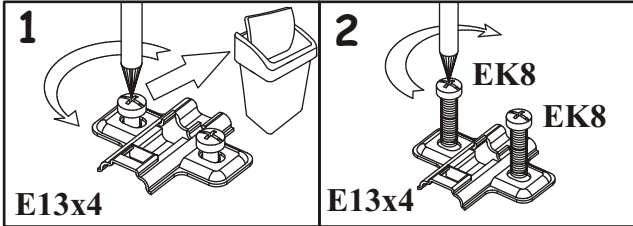
A1 x41 ø8x36	B4 x44	B5 x44 ø15x12	G5 x44	G7 x16	G2 x1
EK6 x8 EKØ6,3x13	E17 x6 H=16	E13 x6 H=2	UP6 x2 UPØ4x30	L1 x2	KR1 x2
EK8 x12 EKØ6,3x24	D10 x18 USØ3,5x13	UP13 x9 UPØ3x16	D20 x4 ESØ6,3x9,5	QU x1 L-300	I2 x6
B11 x14 Ø7x50	B14 x16 Ø7x30	G4 x28	KM1 x1	G16 x5	E0 x6 H=11
C19 x4	D34 x2 M4x16	D4 x6 M4x30	OS3 x4	S1 x24	H1 x4
D9 x7 USØ3x20	G12 x2 Ø14	UP9 x4 UPØ3,5x16	I9 x1 H-60 mm.	0 mm 10 20 30 40 50 60	



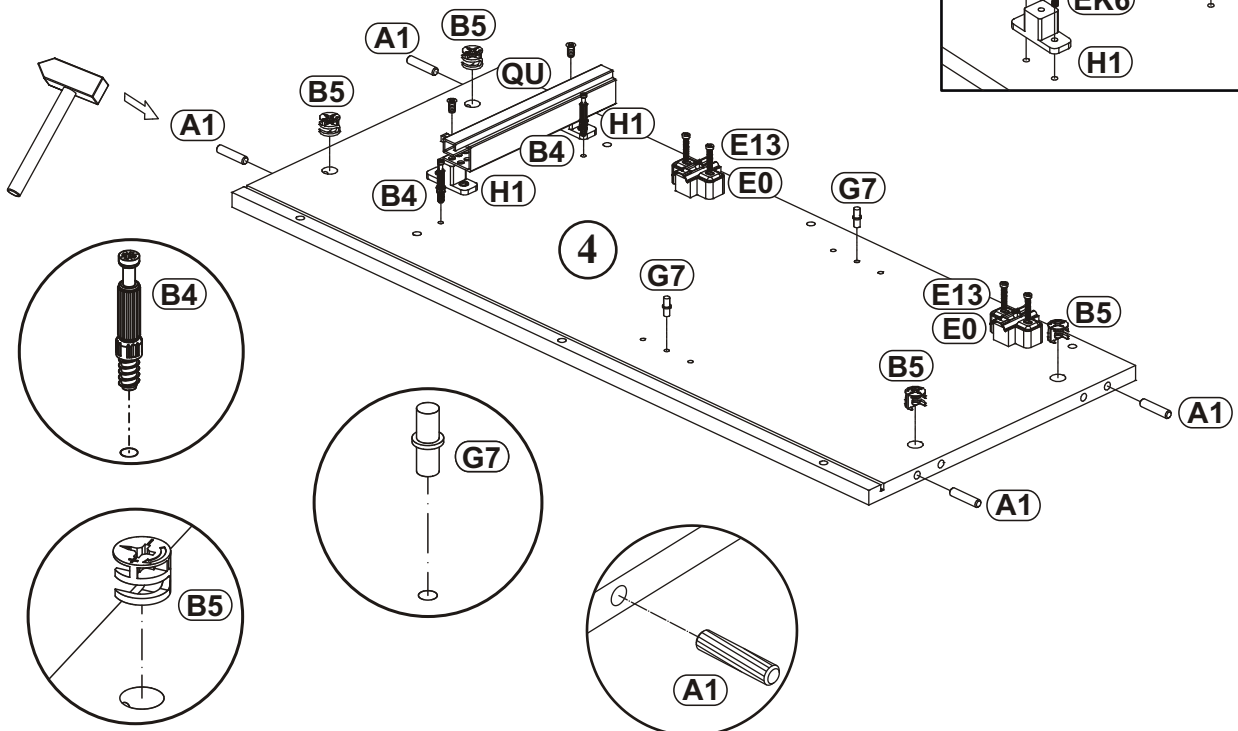
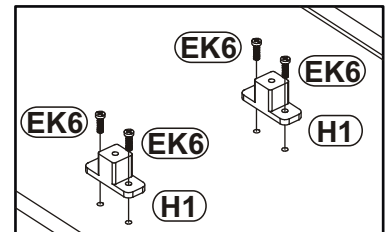
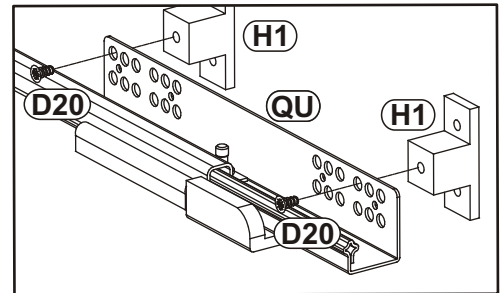
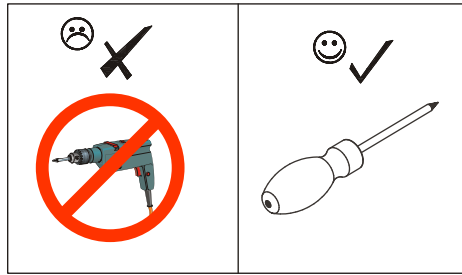
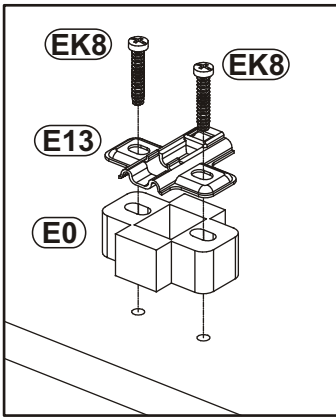
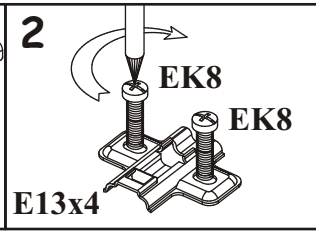
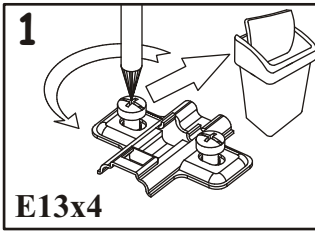
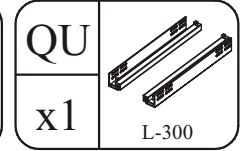
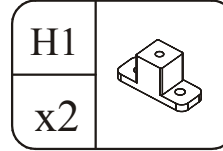
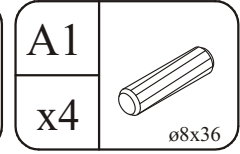
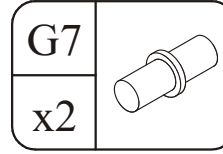
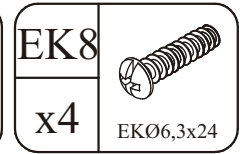
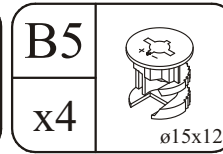
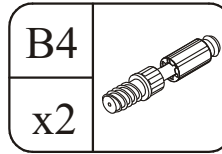
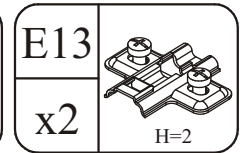
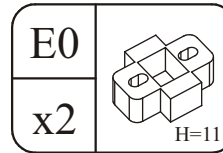
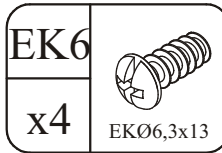
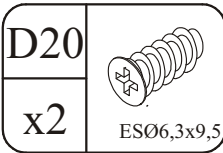
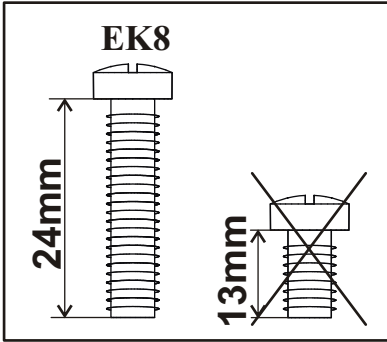
1



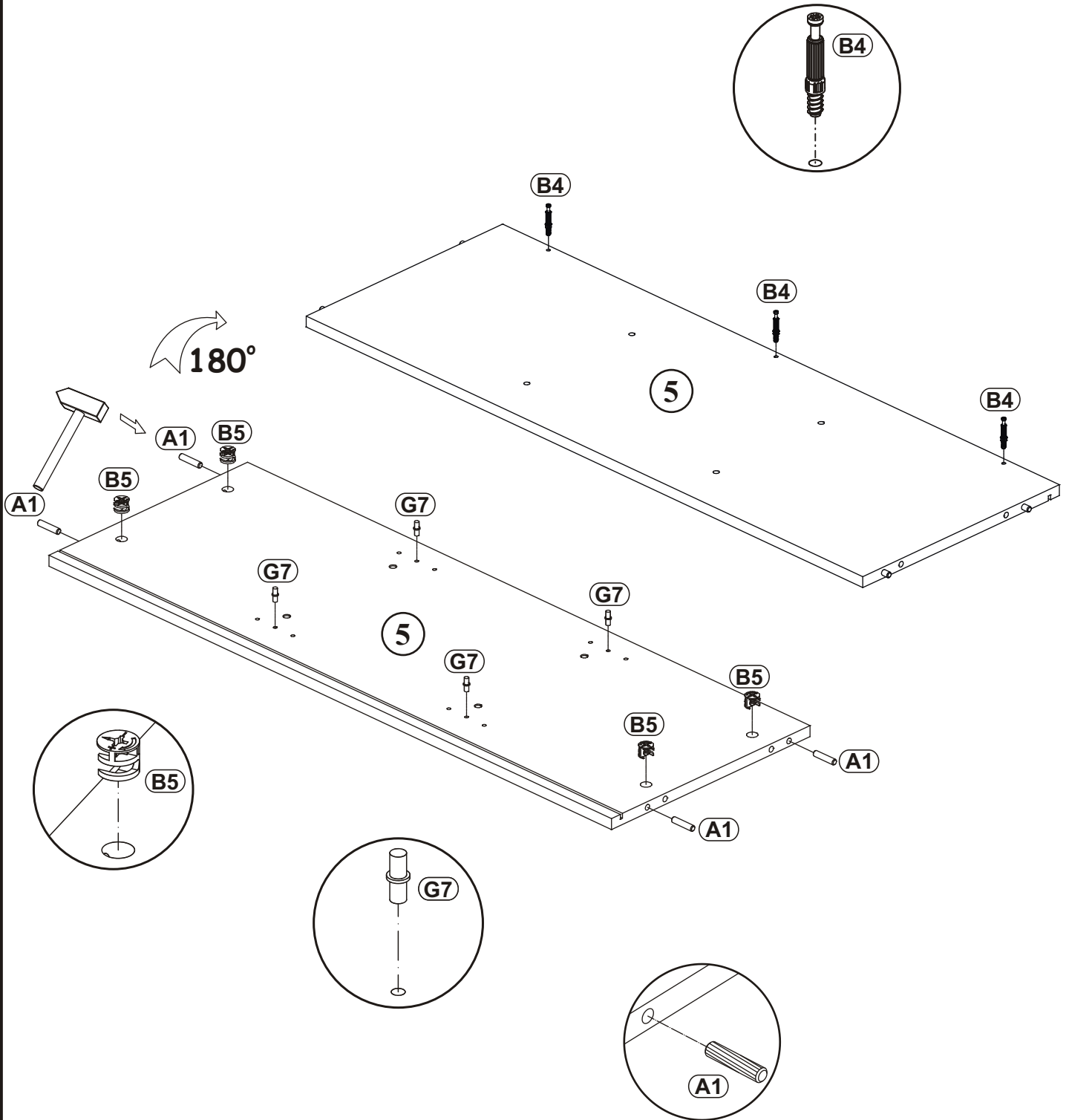
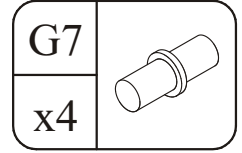
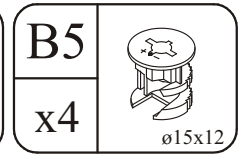
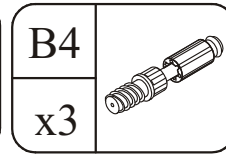
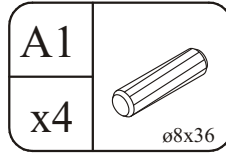
B4 x4		E0 x4		E13 x4	
D20 x2		B5 x4		EK8 x8	
G7 x6		A1 x4		QU x1	
H1 x2		EK6 x4			



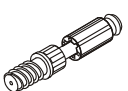
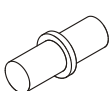
2

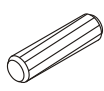



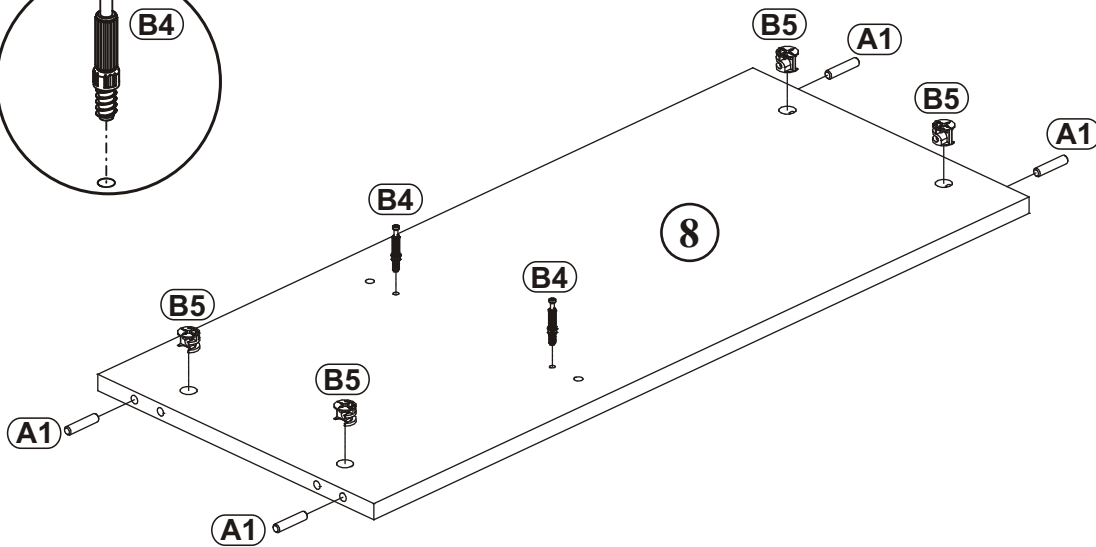
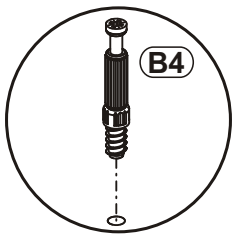
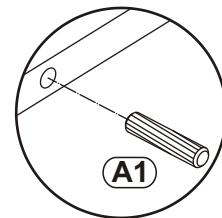
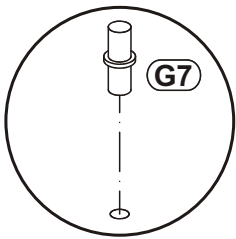
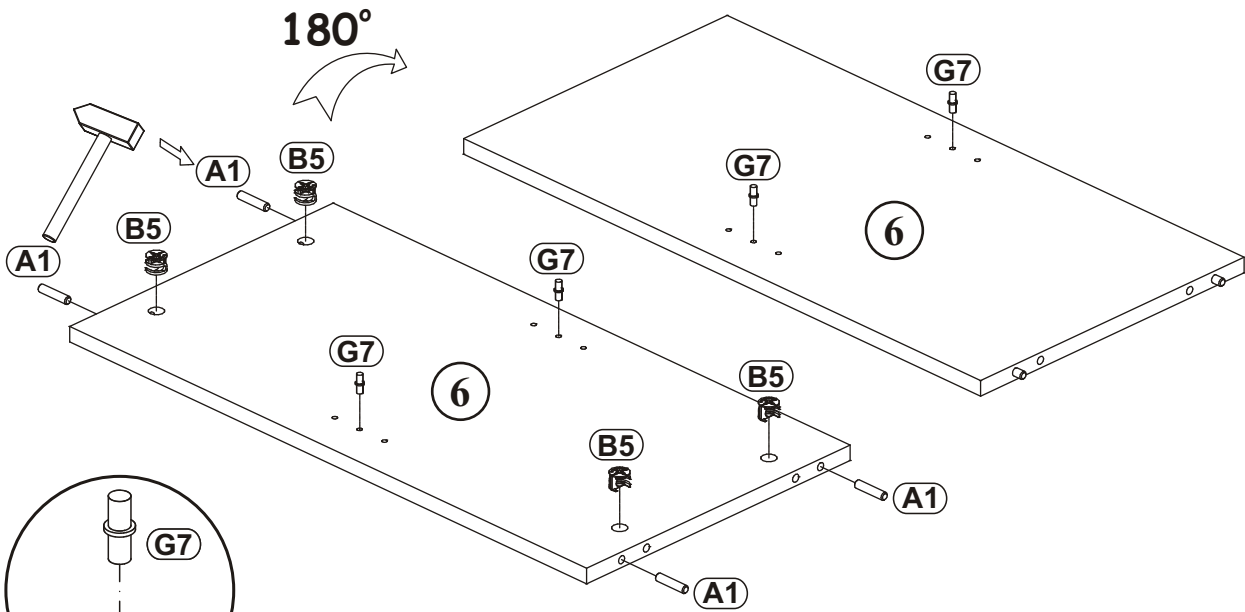
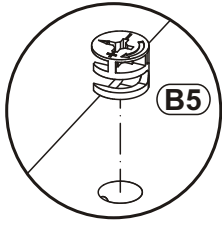
3

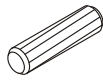


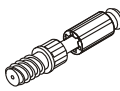
4


B4		G7	
x2		x4	

A1		B5	
x8	ø8x36	x8	ø15x12

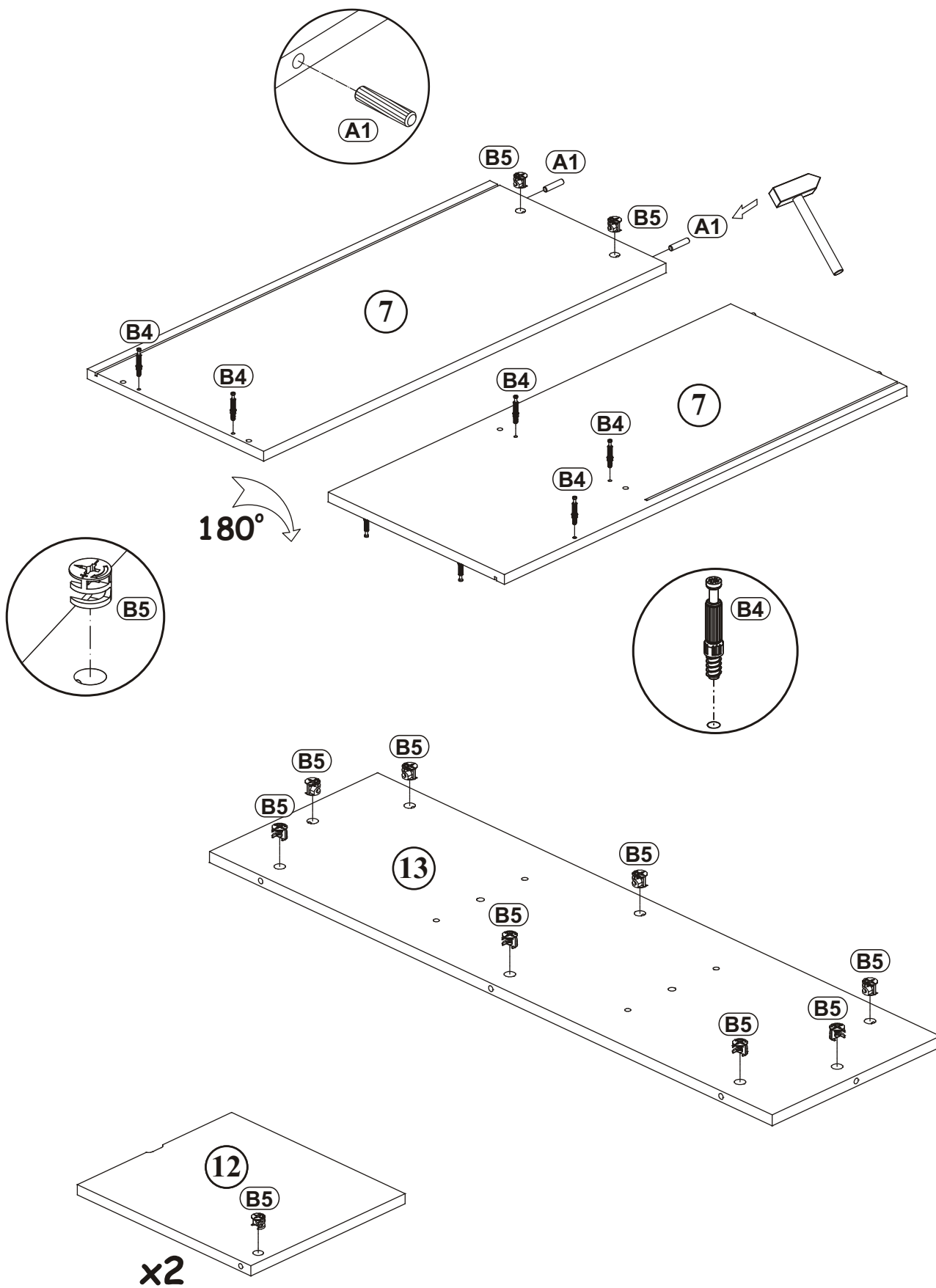


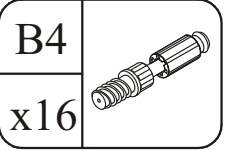
A1	
x2	ø8x36

B4	
x5	

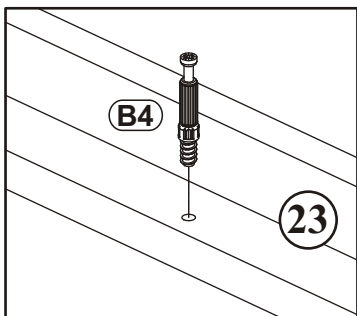
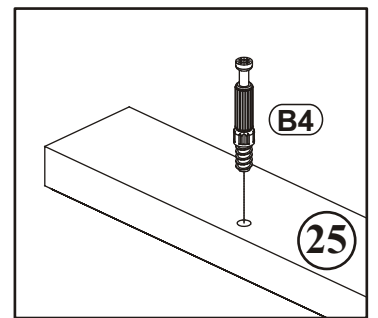
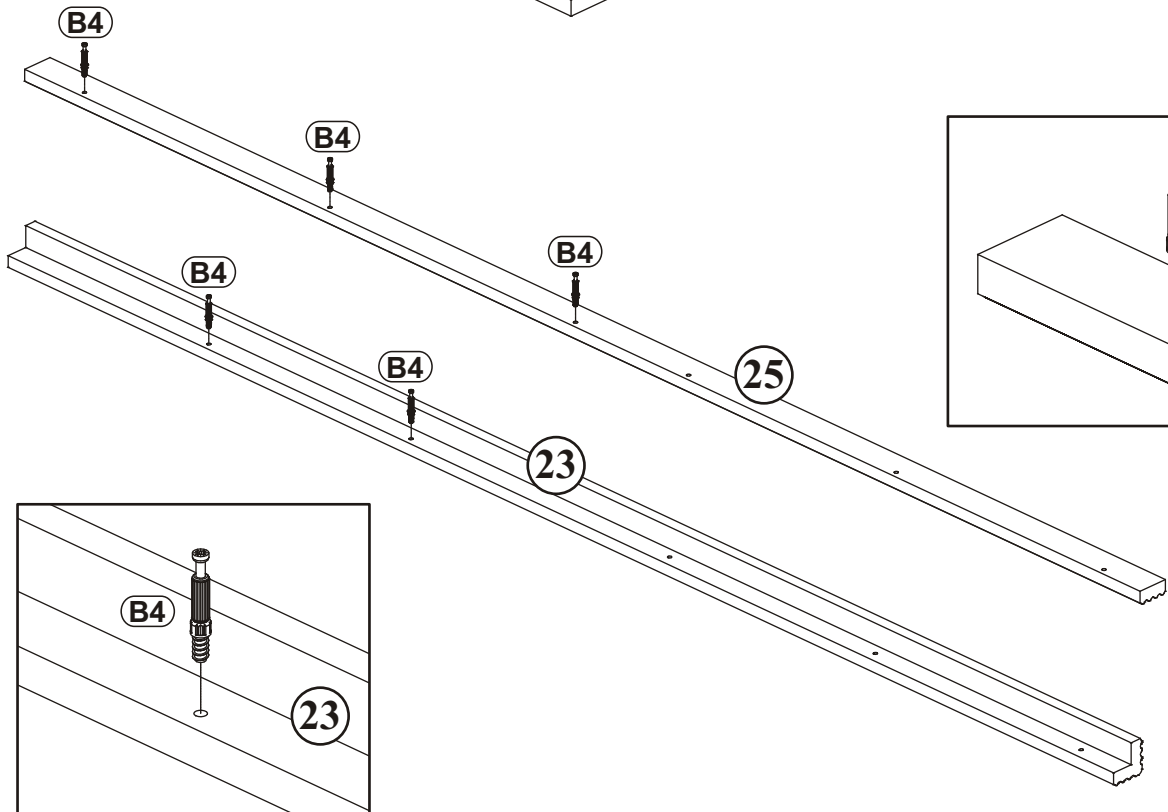
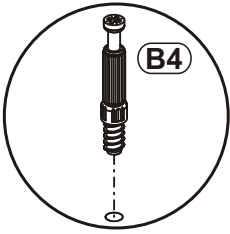
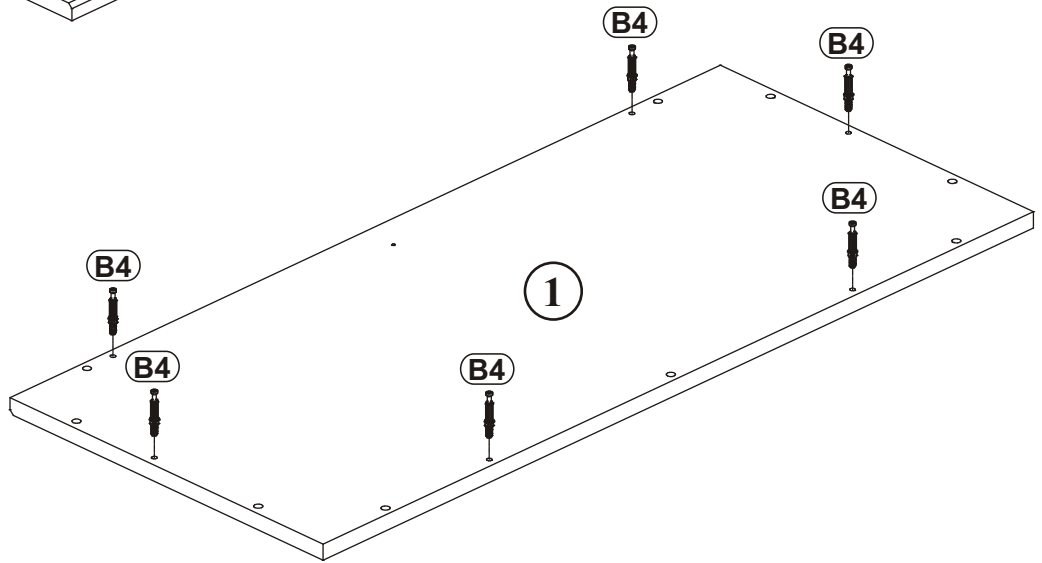
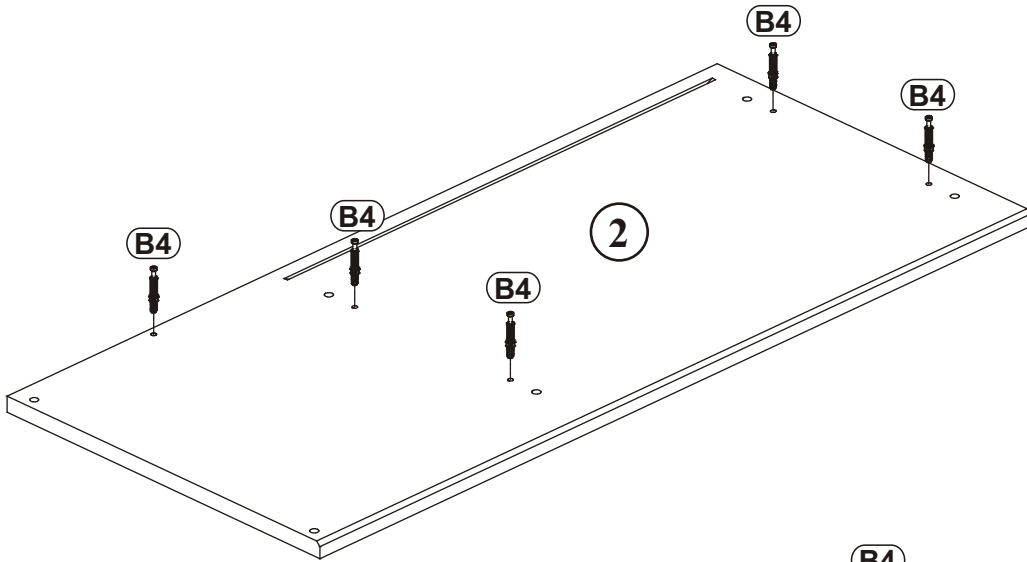
B5	
x2	ø15x12

5



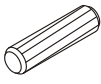

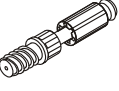


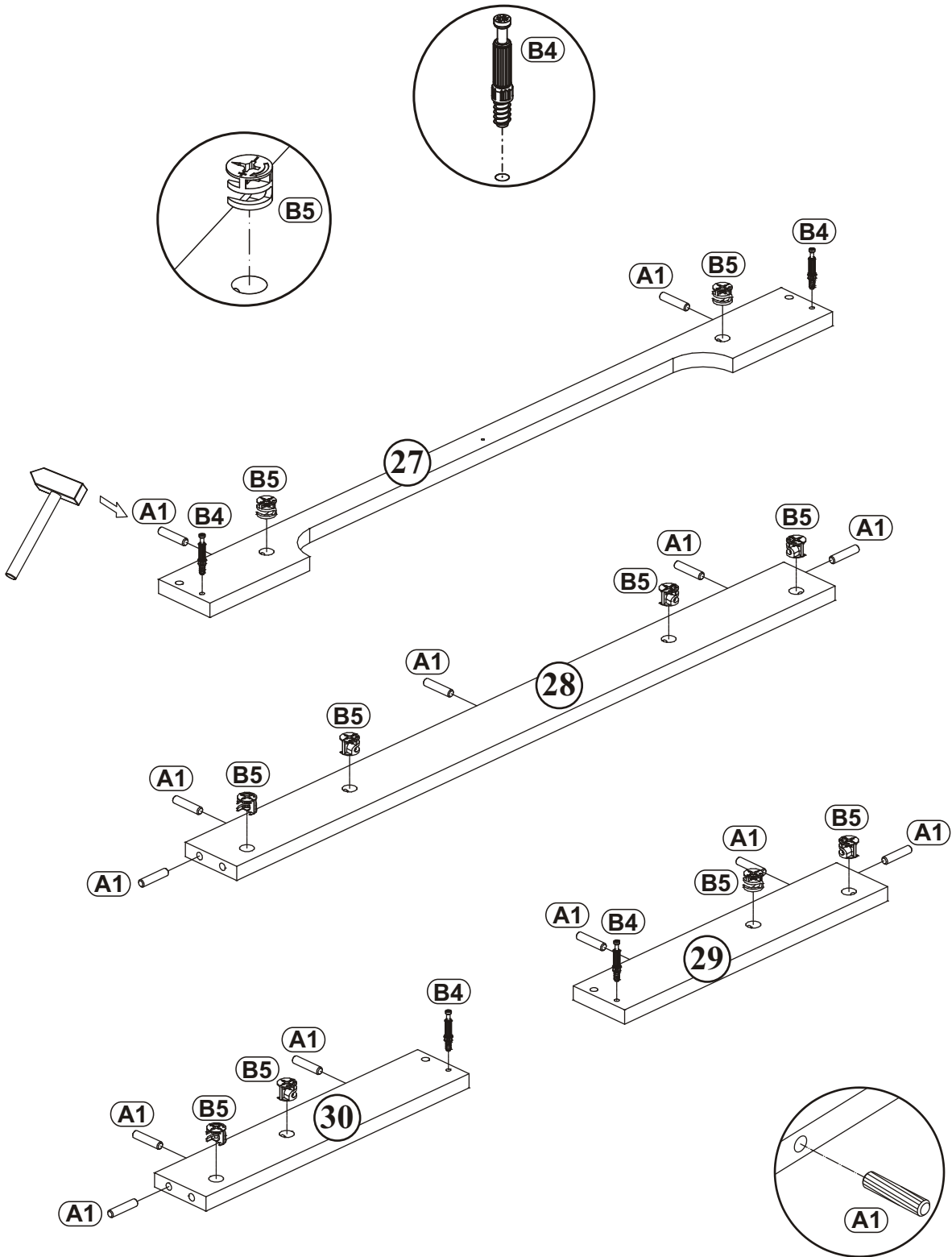
6



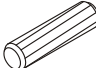



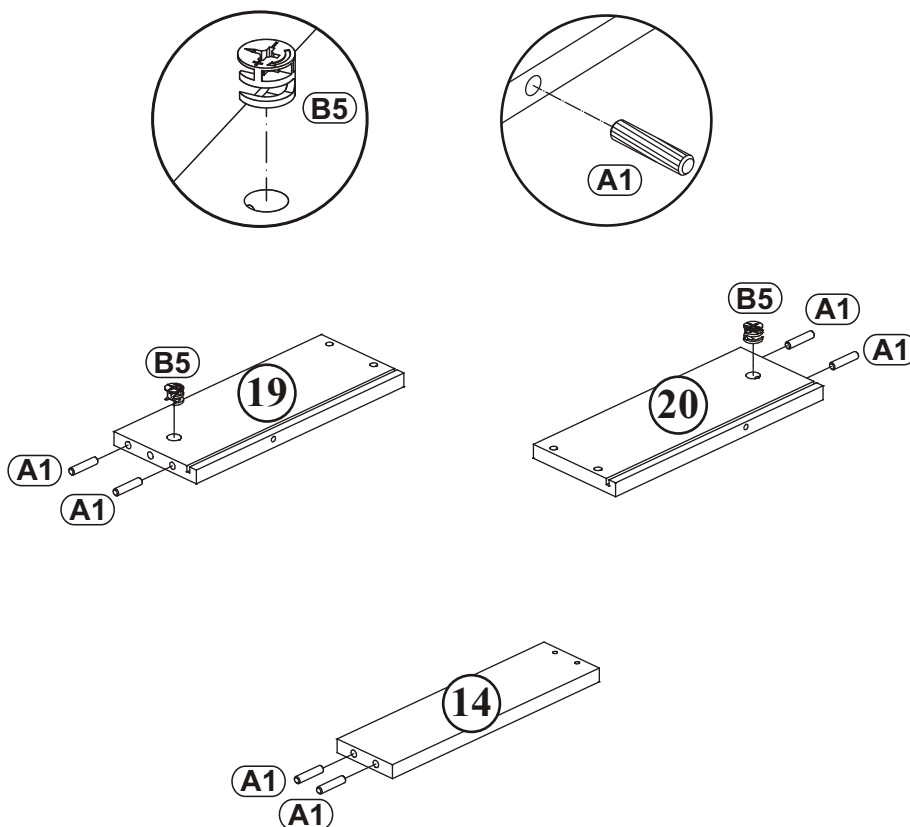
7

A1		B5		B4	
x13	ø8x36	x10	ø15x12	x4	

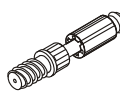


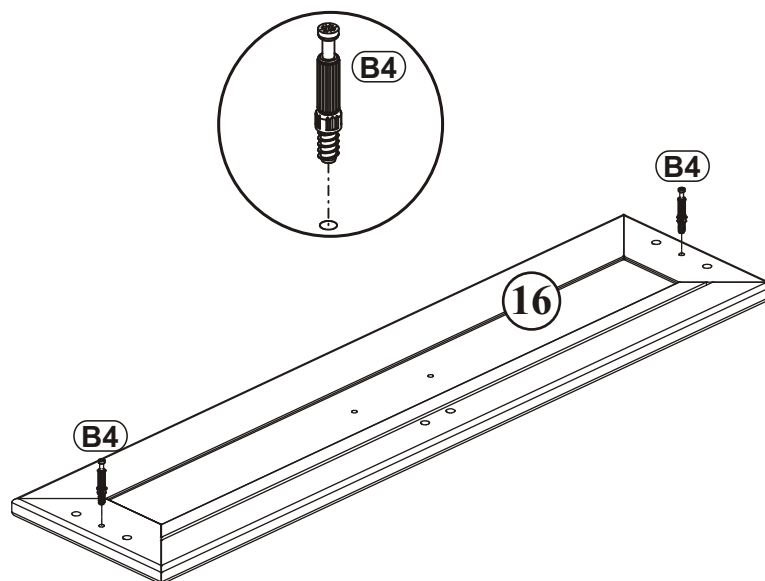
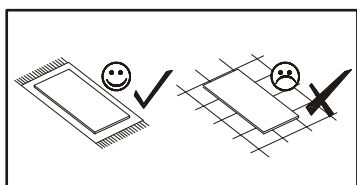
8

A1		B5	
x6	ø8x36	x2	ø15x12

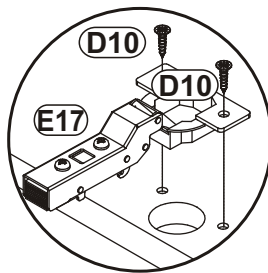
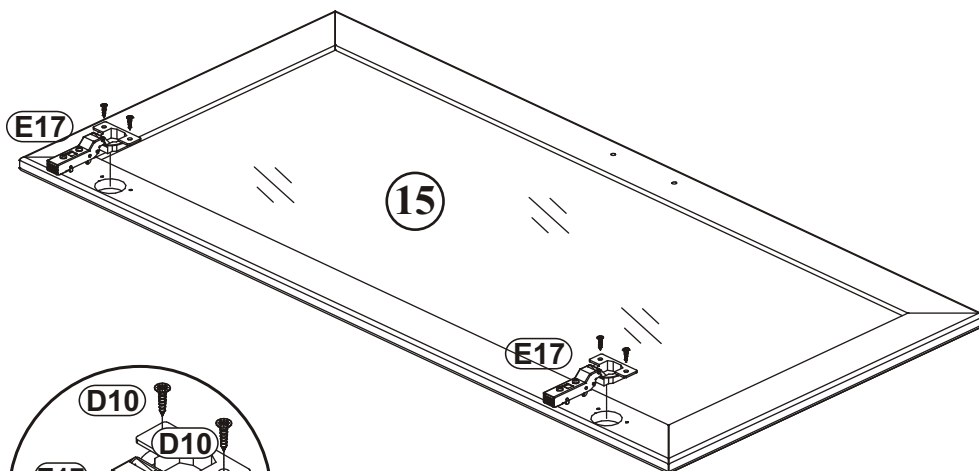
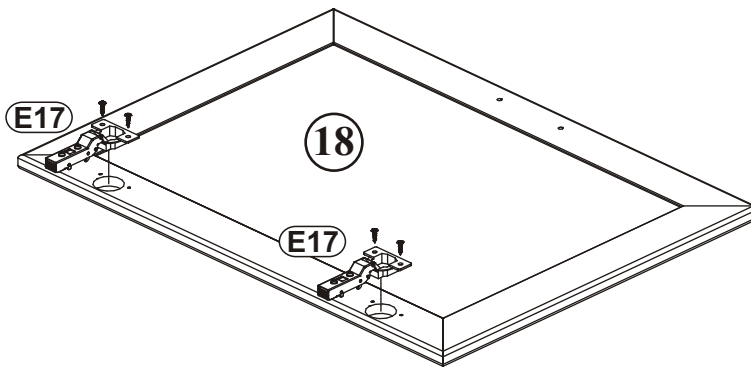
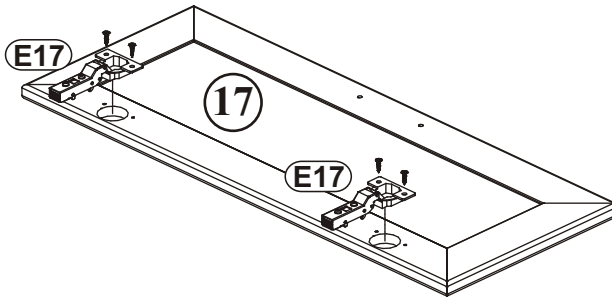
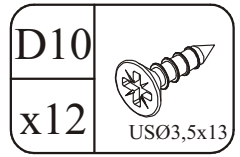
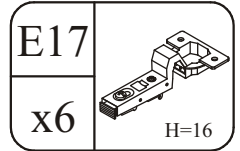
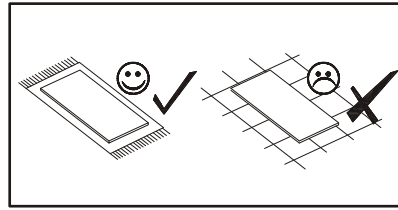


9


B4	
x2	

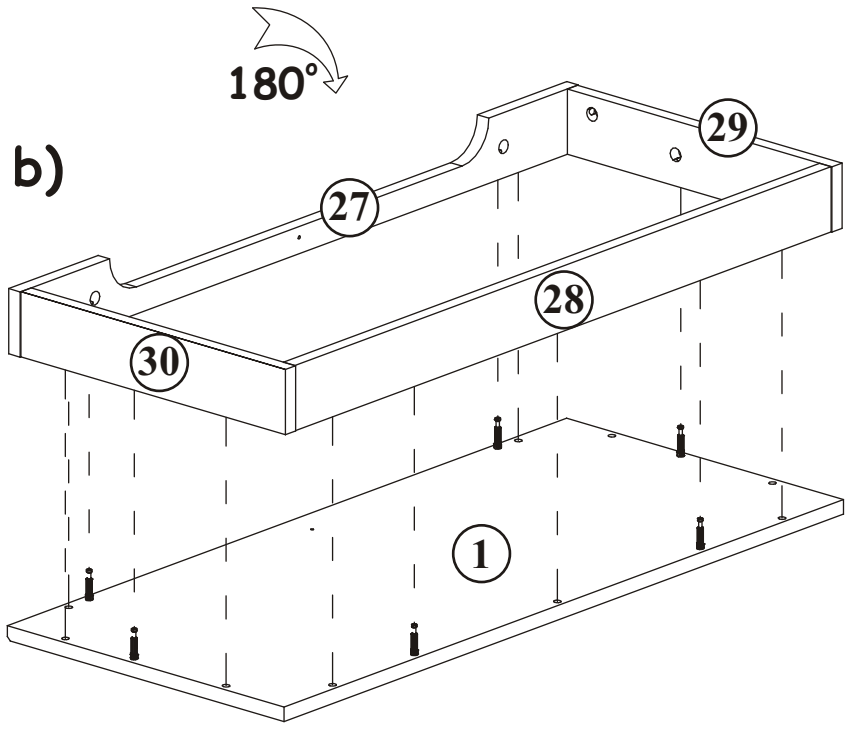
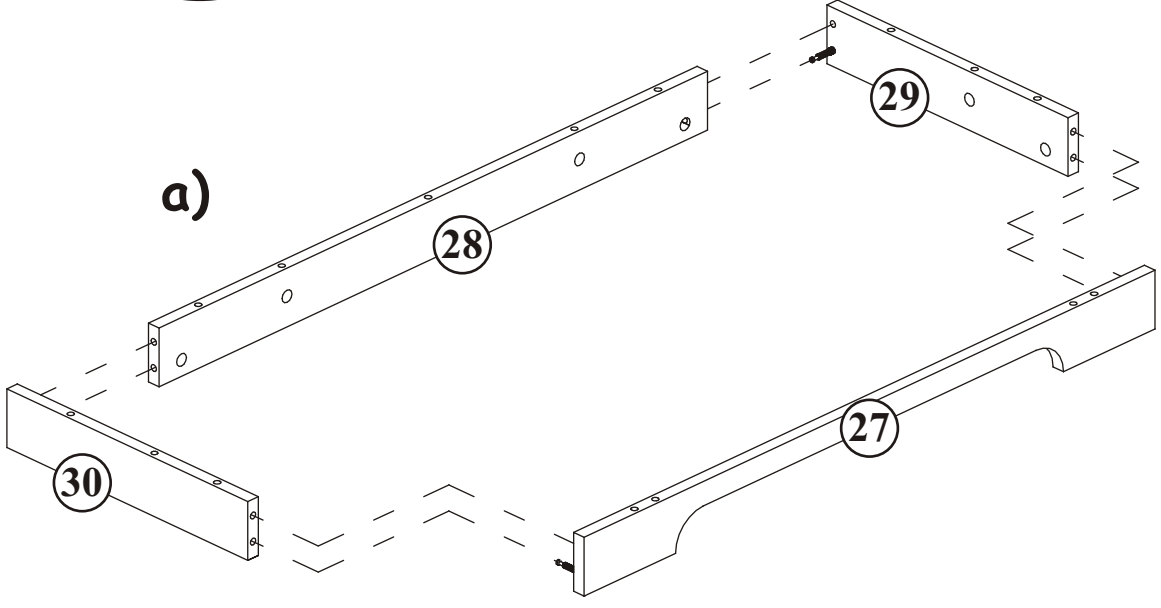
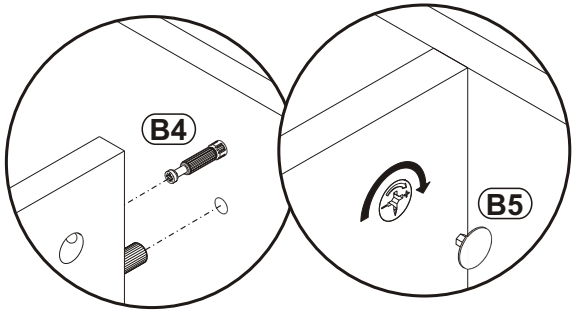


10

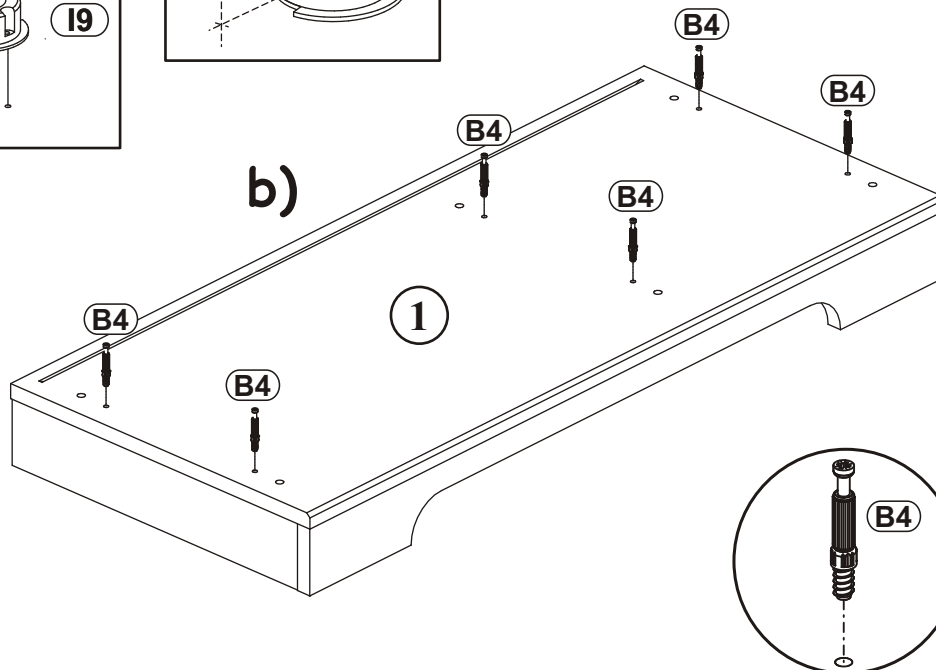
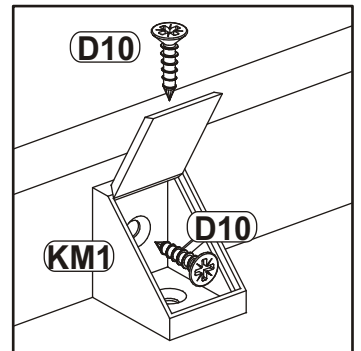
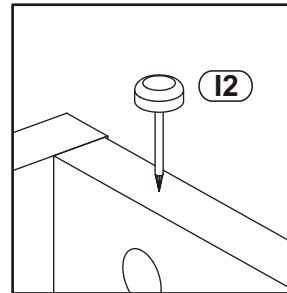
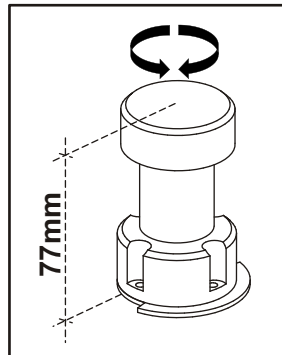
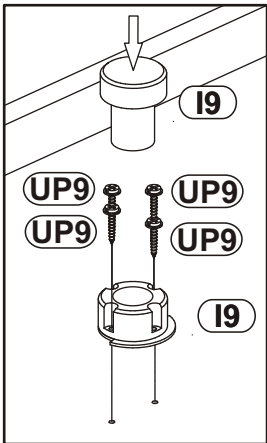
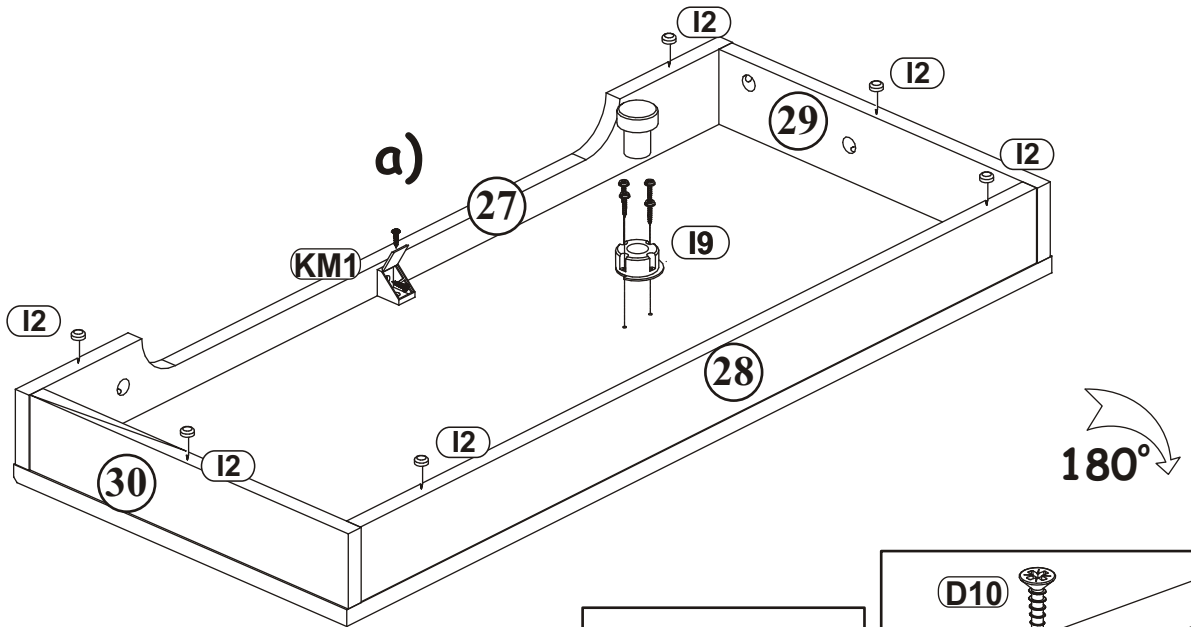
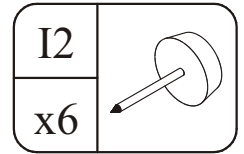
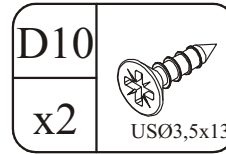
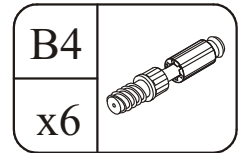
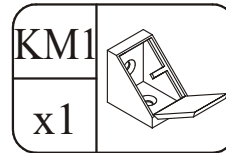
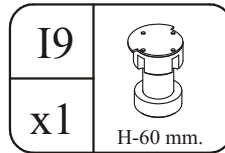
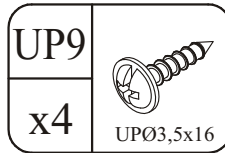


11


G5	
x10	




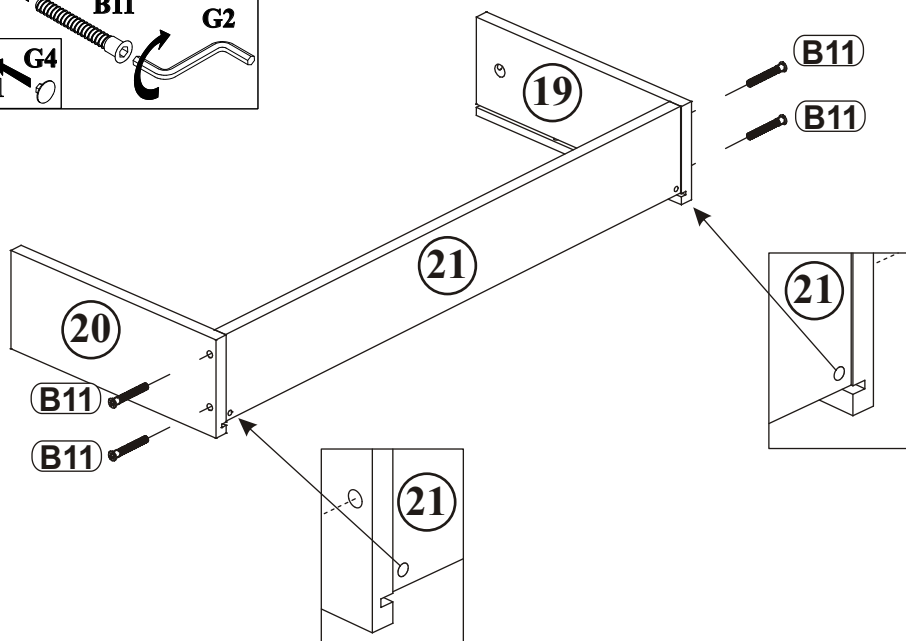
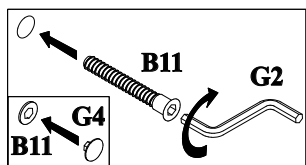
12




13

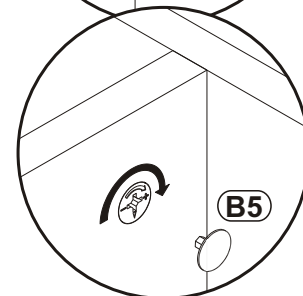
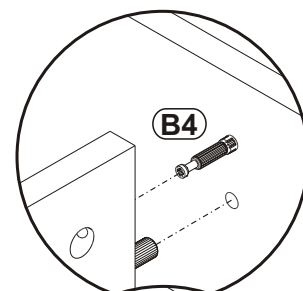
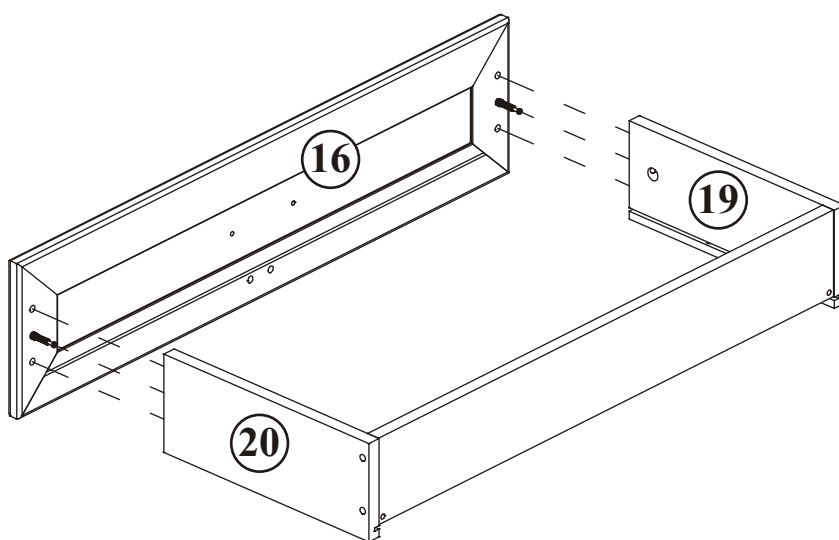
G4	
x4	

B11	
x4	Ø7x50

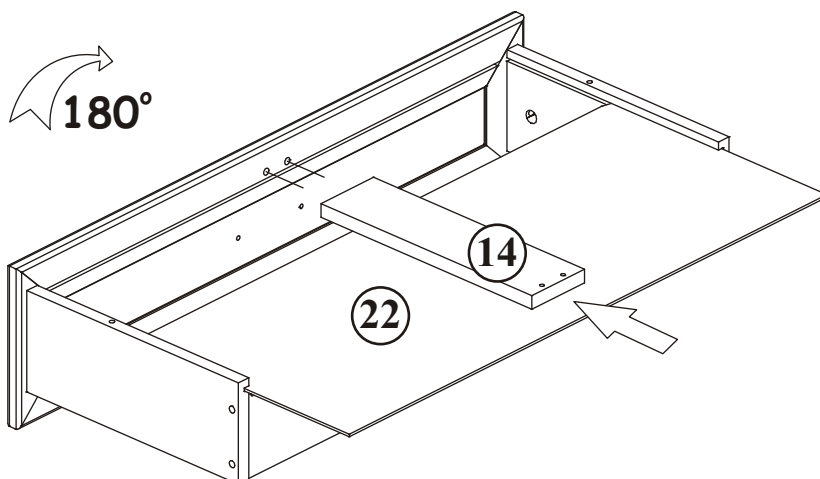


14

G5	
x2	

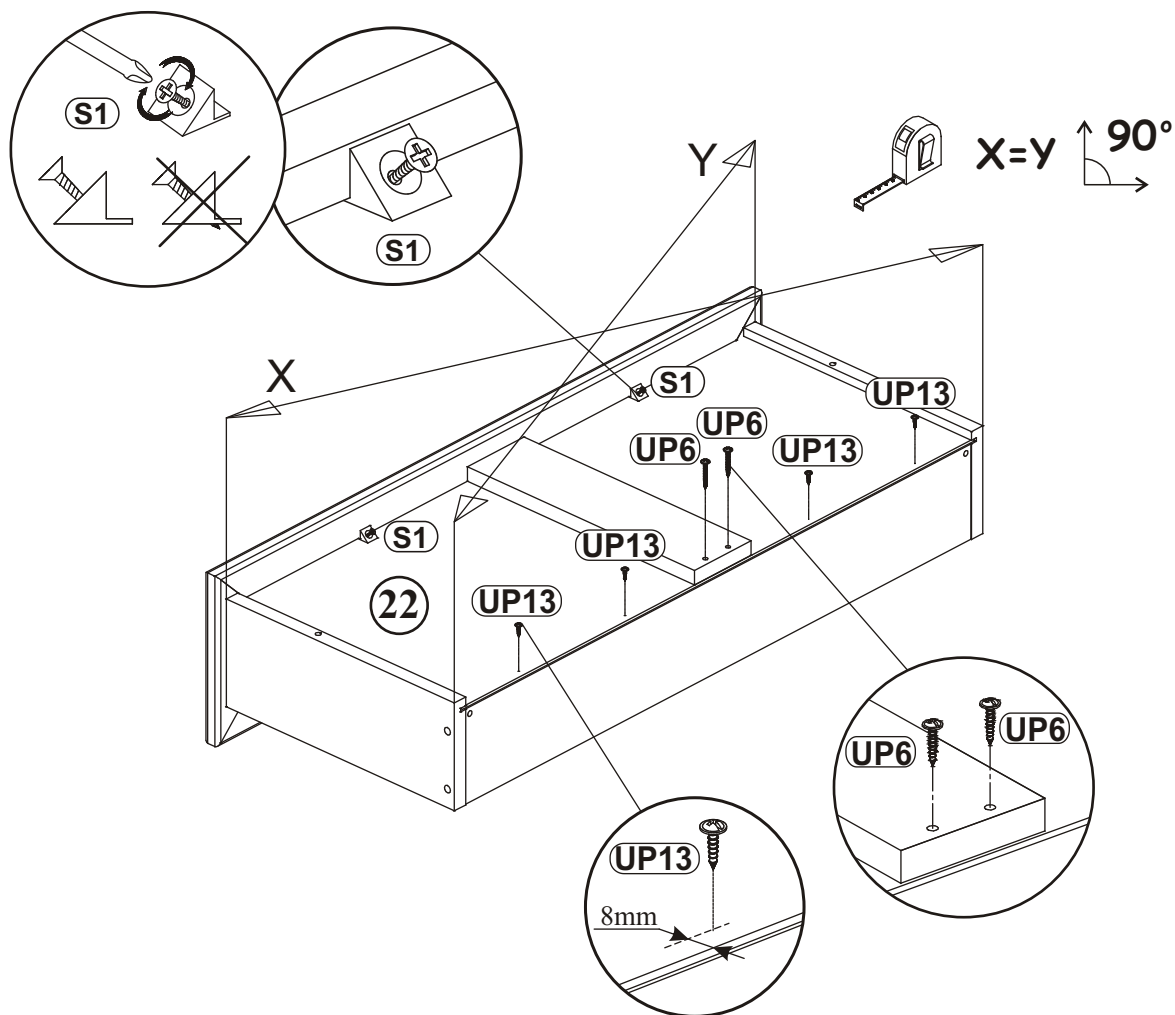


15

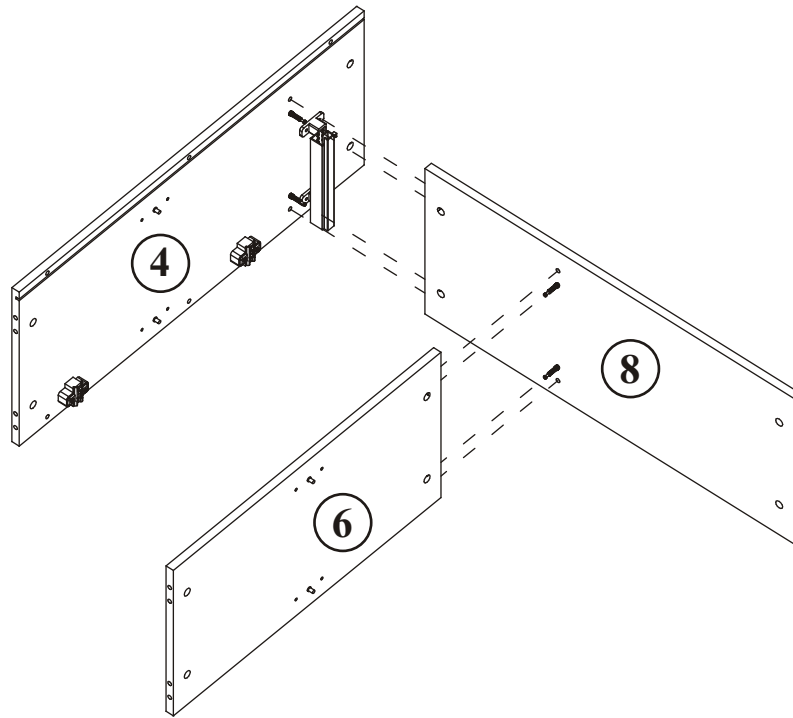
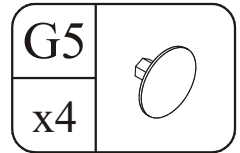


16

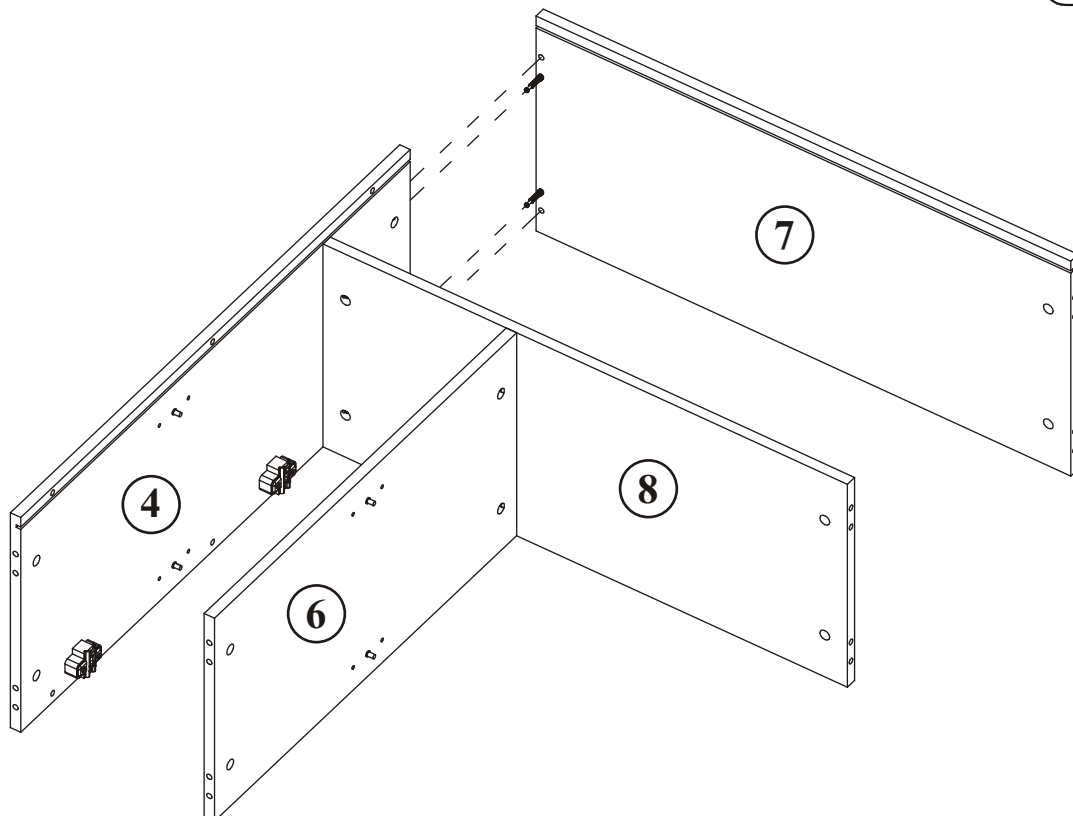
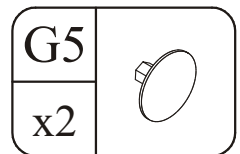
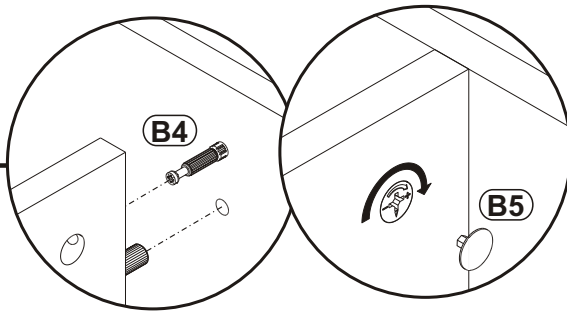
S1		UP6		UP13	
x2		x2	UPØ4x30	x4	UPØ3x16



17

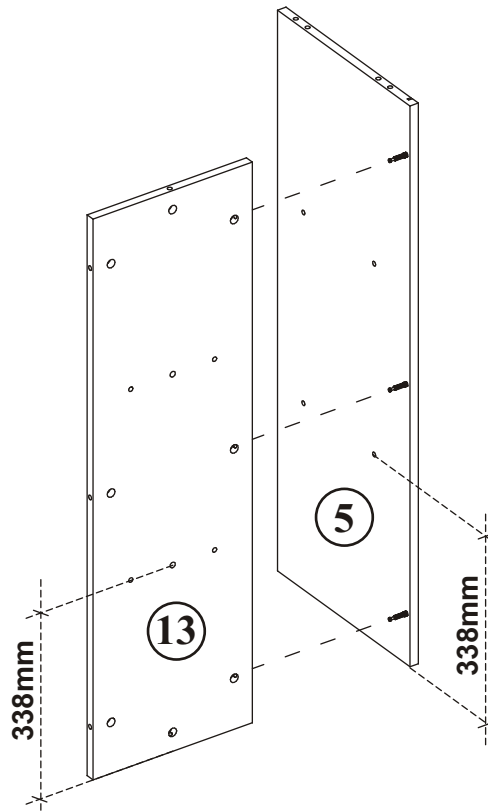
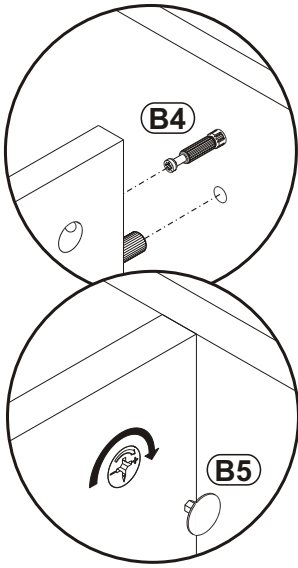



18



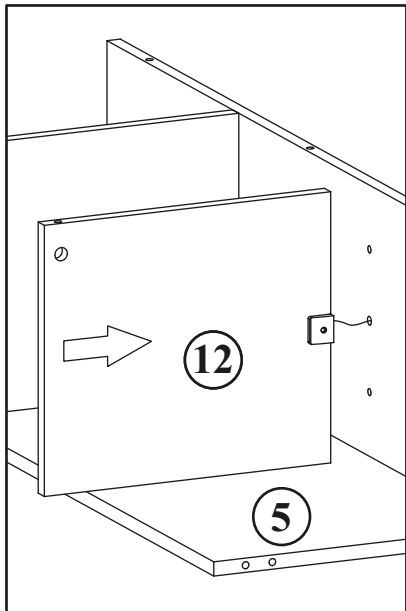
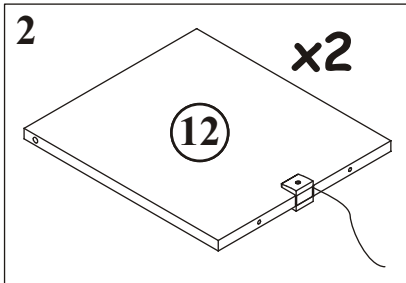
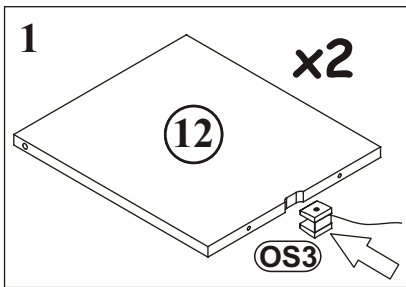


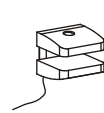
19




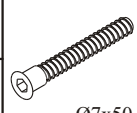
G5	
x3	

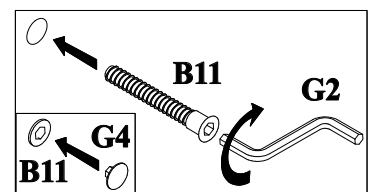
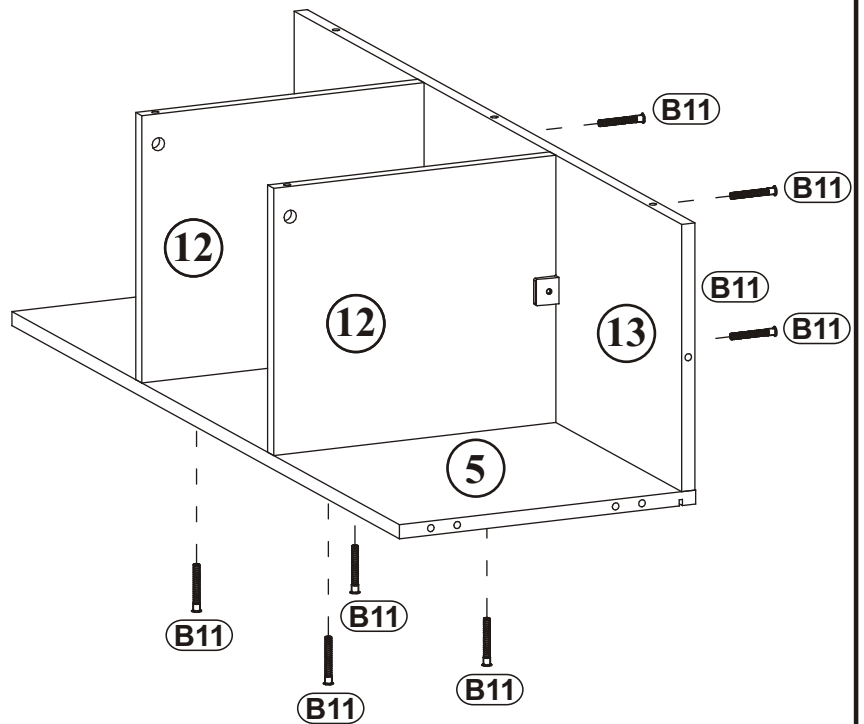
20



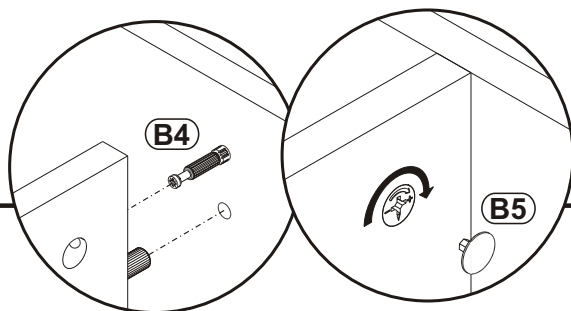
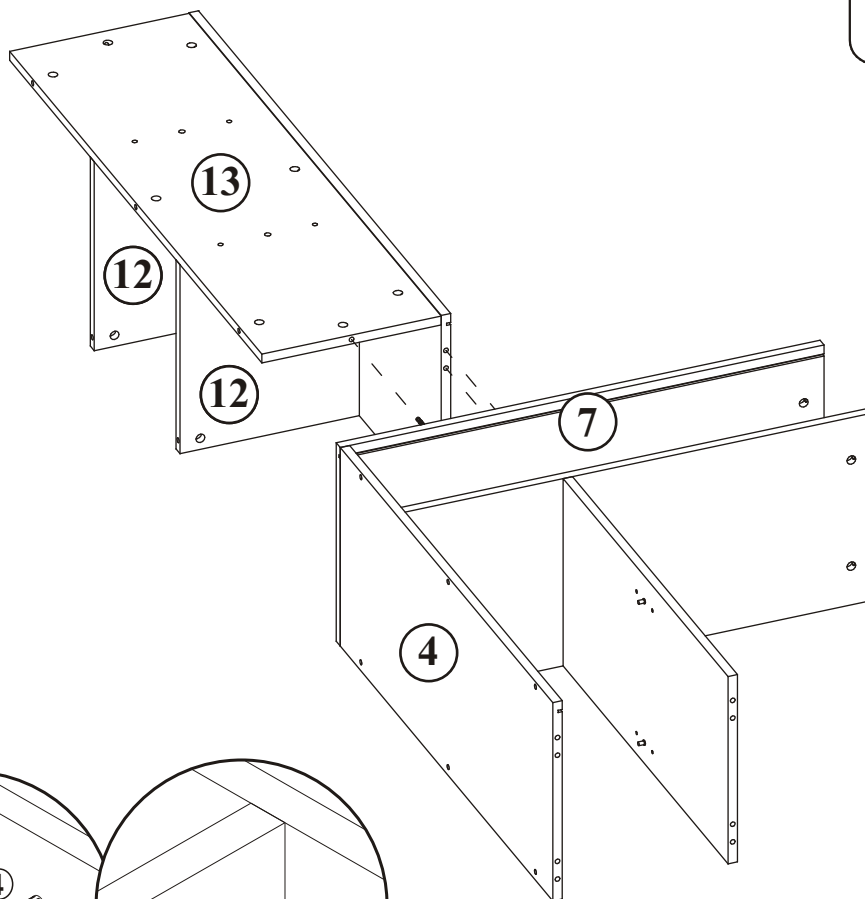
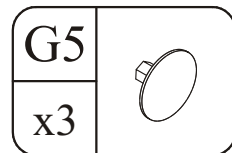
OS3	
x2	

G4	
x8	

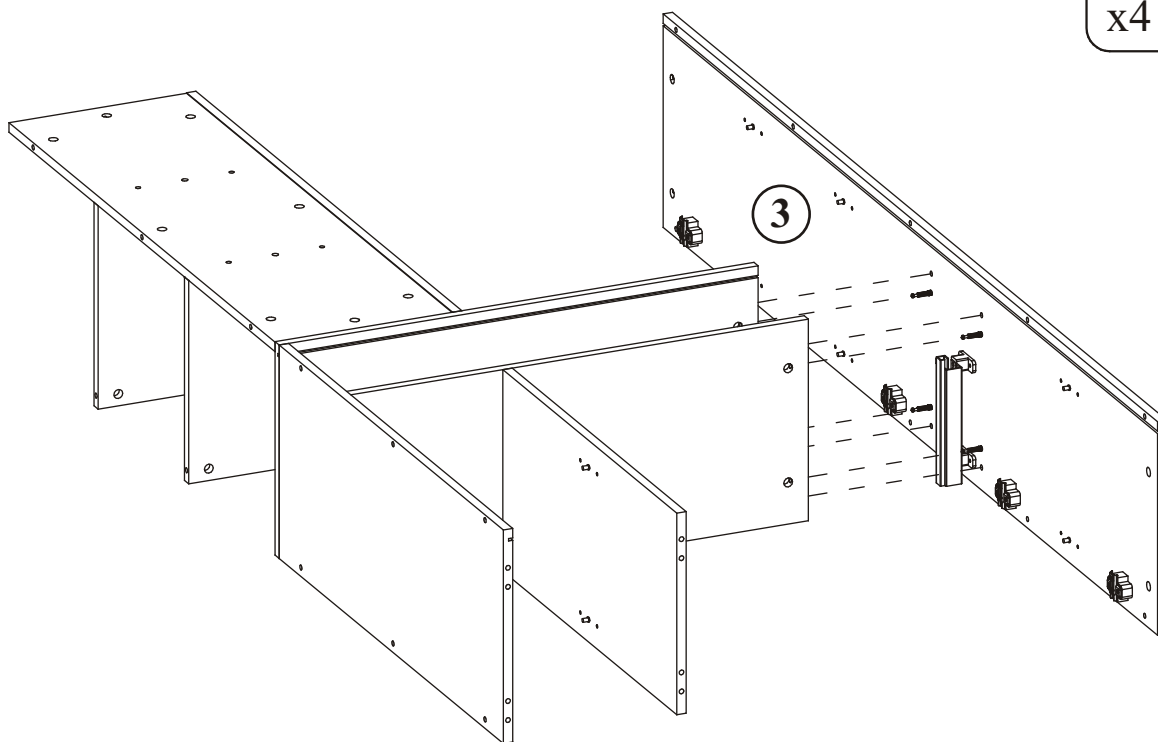
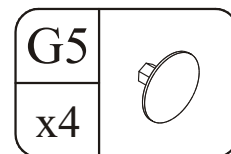
B11	
x8	Ø7x50




21





22

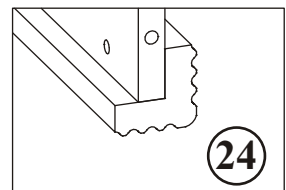
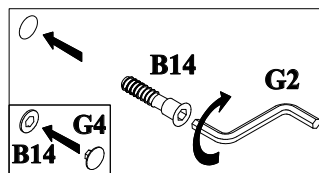
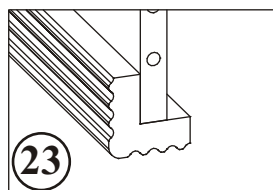
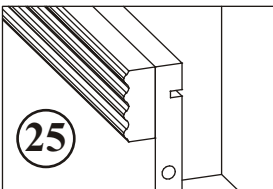
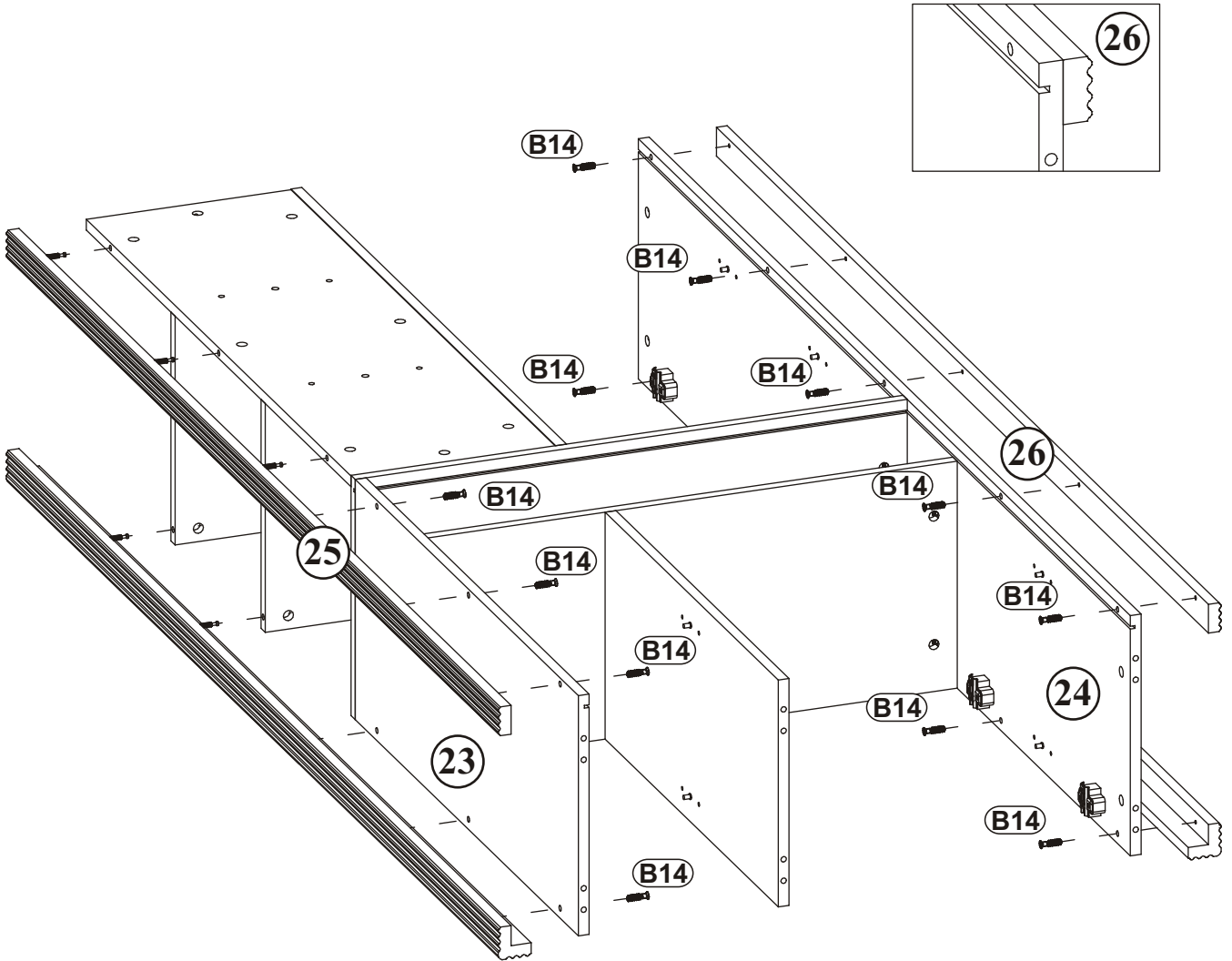


23




B14	
x16	Ø7x30

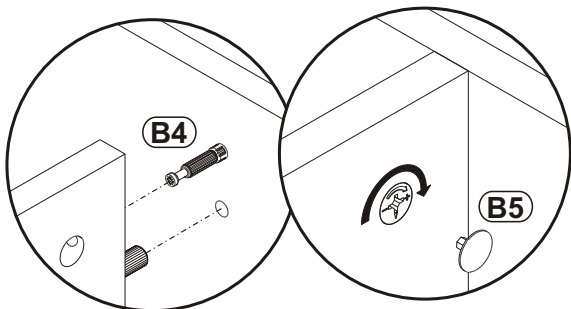
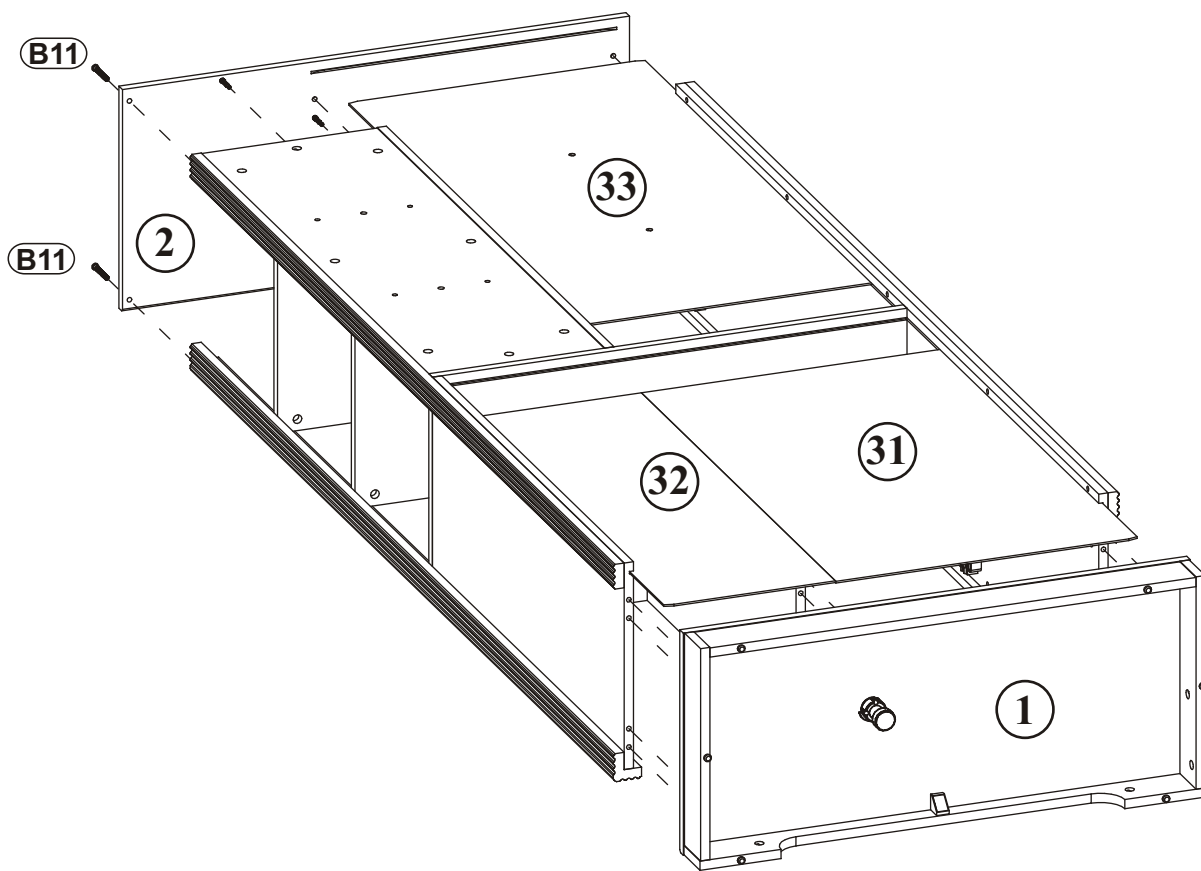
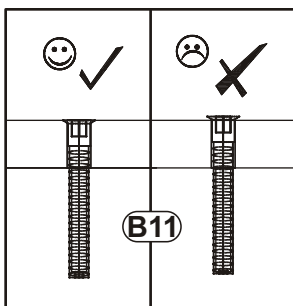
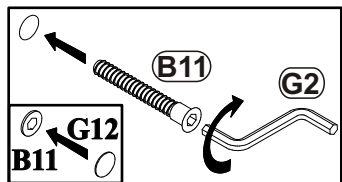
G4	
x16	

G5	
x5	



24

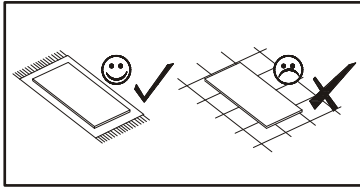
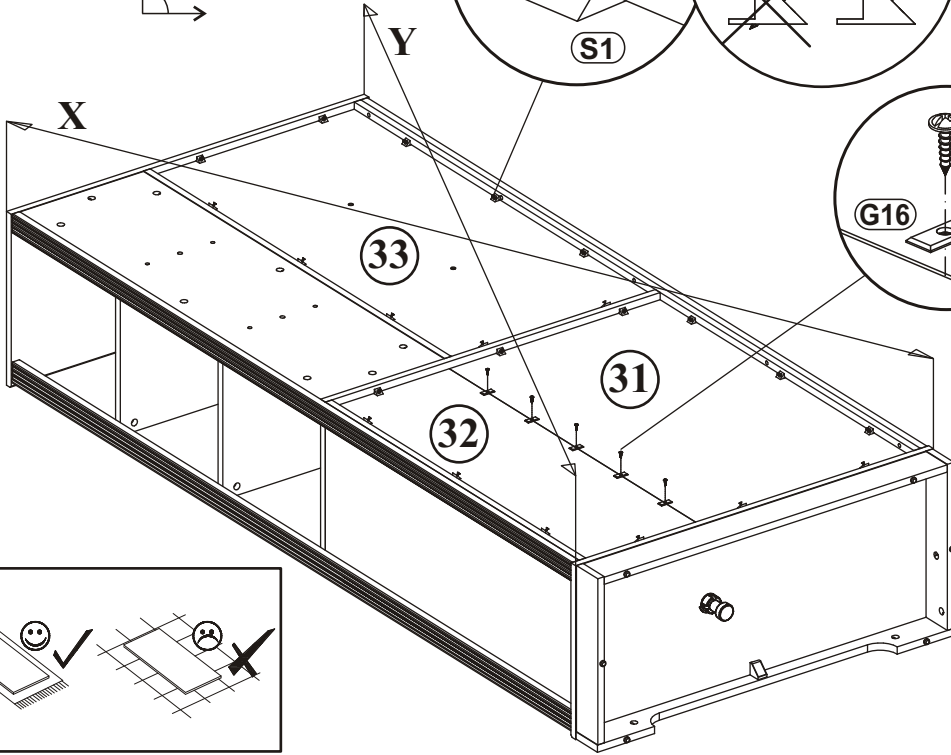
G5		G12		B11	
x11		x2	Ø14	x2	Ø7x50



25



X=Y 90°

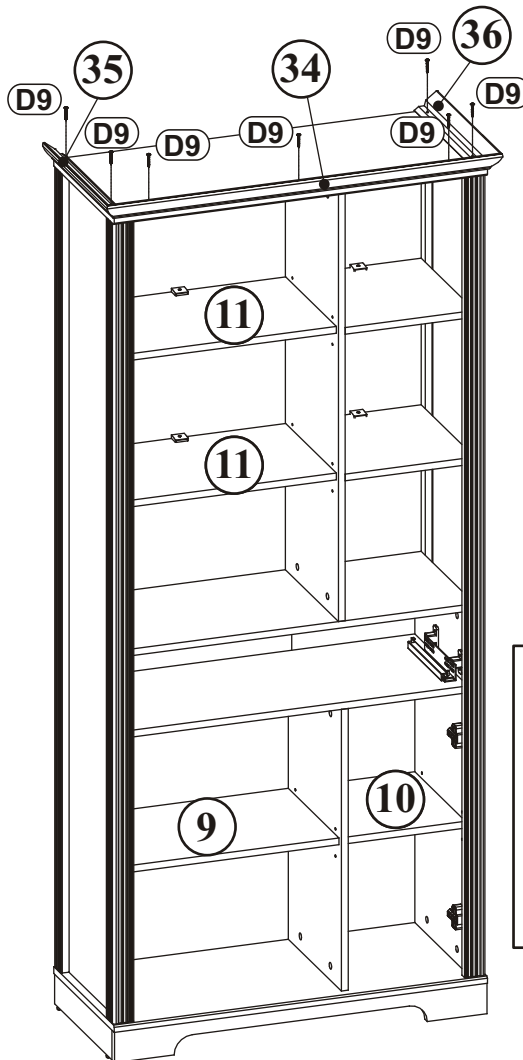
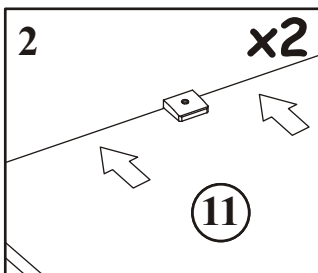
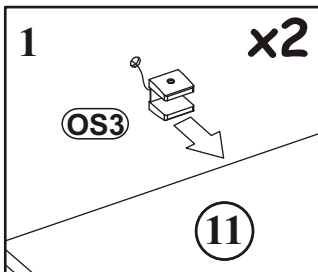
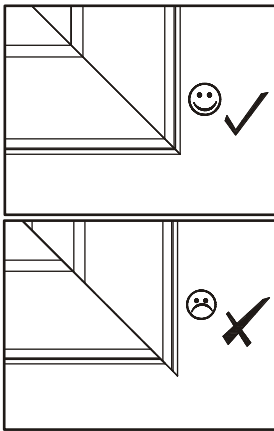


S1	
x22	

UP13	
x5	UPØ3x16

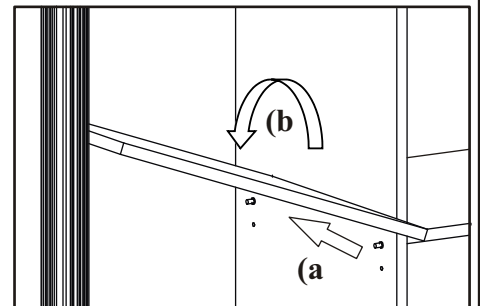
G16	
x5	

26


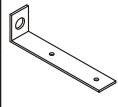
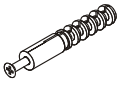


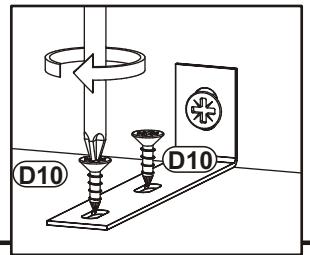
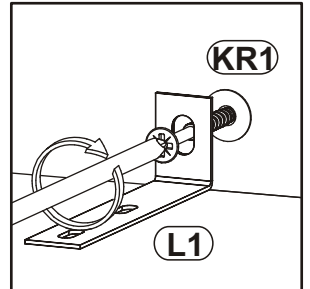
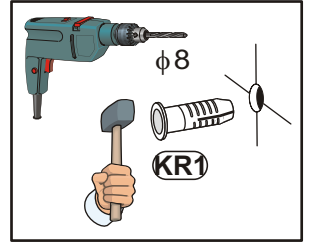
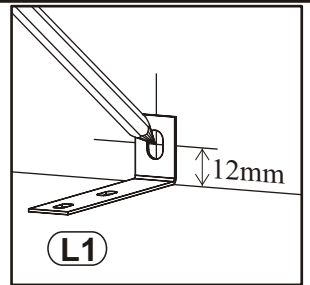
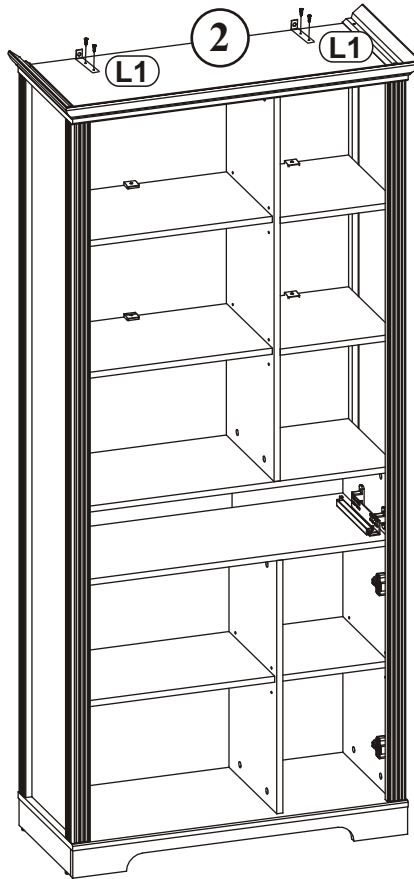
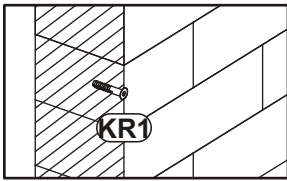
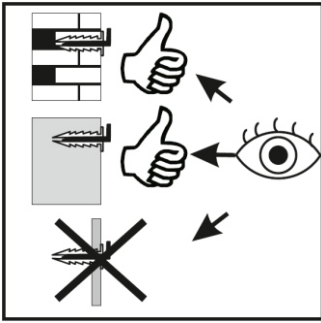
D9	
x7	USØ3x20

OS3	
x2	

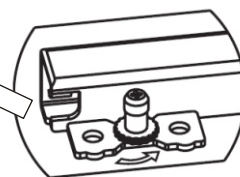
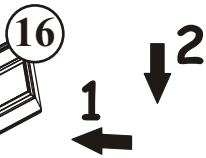
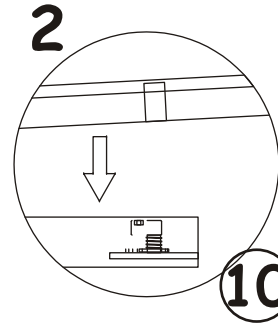
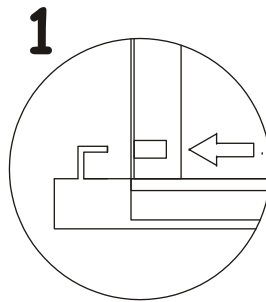


27

D10		L1		KR1	
x4	USØ3,5x13	x2		x2	



28



↑ +4 mm

29

